

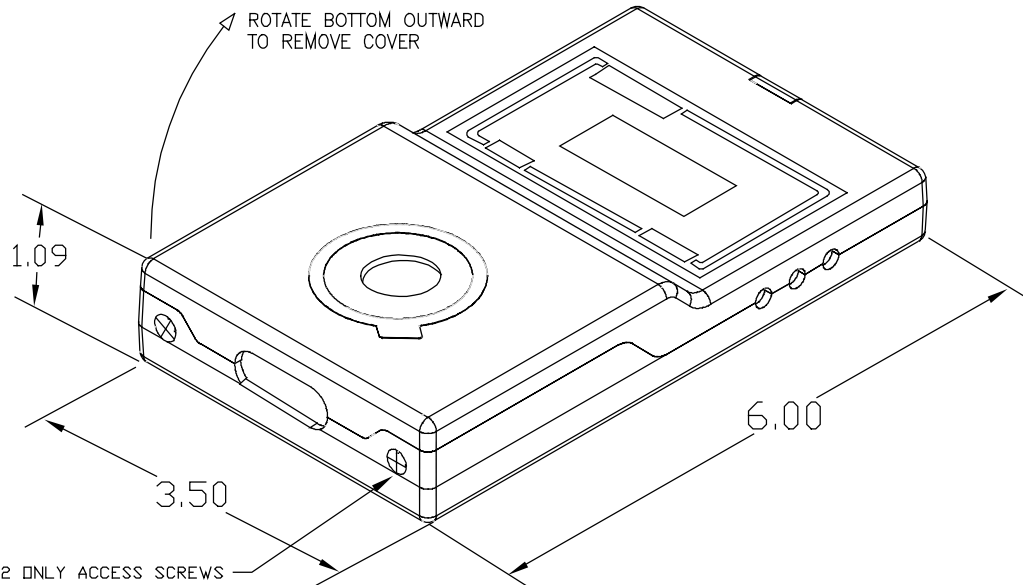
4

3

2

1

REVISIONS						
REV	ECD	DESCRIPTION	DATE	DRN	CHK	APVD
A	---	FIRST RELEASE	03-05-29	YD	BC	BC
B	657	UPDATE WIRING, ADD PG 4	04-10-07	DH	DH	DH
C	715	DEFAULT FOR J2	05-05-12	DH	DH	DH



SPECIFICATIONS:

POWER SUPPLY

24 VAC or 24 VDC (Nominal)
 Less than 100 millamps operating
 Allow 250 millamps turn-on surge
 Range: DC: 18 to 30 VDC
 AC: 18 to 30 VAC

SIGNAL OUTPUT

4-20 mA linear
 OR
 2-10 VDC linear

OPERATING RANGE

0-100% LEL (Display)
 Fully Adjustable Signal Assignment of 4-20 mA (2-10VDC)

SENSOR

Catalytic

GAS TYPE

Butane, Ethanol, Methane, Propane
 Gen LEL (General LEL -> Other Combustibles)

MOUNTING HEIGHT

Methane = 1 Ft (0.3m) From Ceiling
 Butane, Ethanol, Propane = 1 Ft (0.3m) From Floor
 Gen LEL = Mount according to requirement for gas

ENVIRONMENT

Temperature: -4°F to 104°F (-20°C to 40°C)
 Humidity: 0 to 99 % Non-Condensing

SENSOR/TRANSMITTER MOUNTING

Wall Mounting
 Mount holes fit standard Switch Box

CABLE ENTRY

From back of enclosure 94 V-0

ENCLOSURE

ABS Plastic Fire Retardant 94 V-0

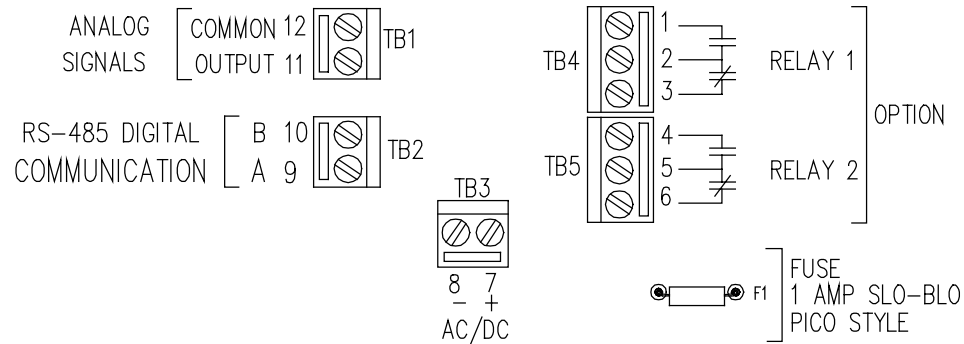
WIRE

Connectors: Terminal blocks, screw type for lead wire.
 Size: Min. 26 AWG (0.40mm)
 Size: Max. 16 AWG (1.3 mm)

ALARM OPTION

Relays (2) 1 Amp SPDT
 Buzzer

WIRING CONNECTIONS:



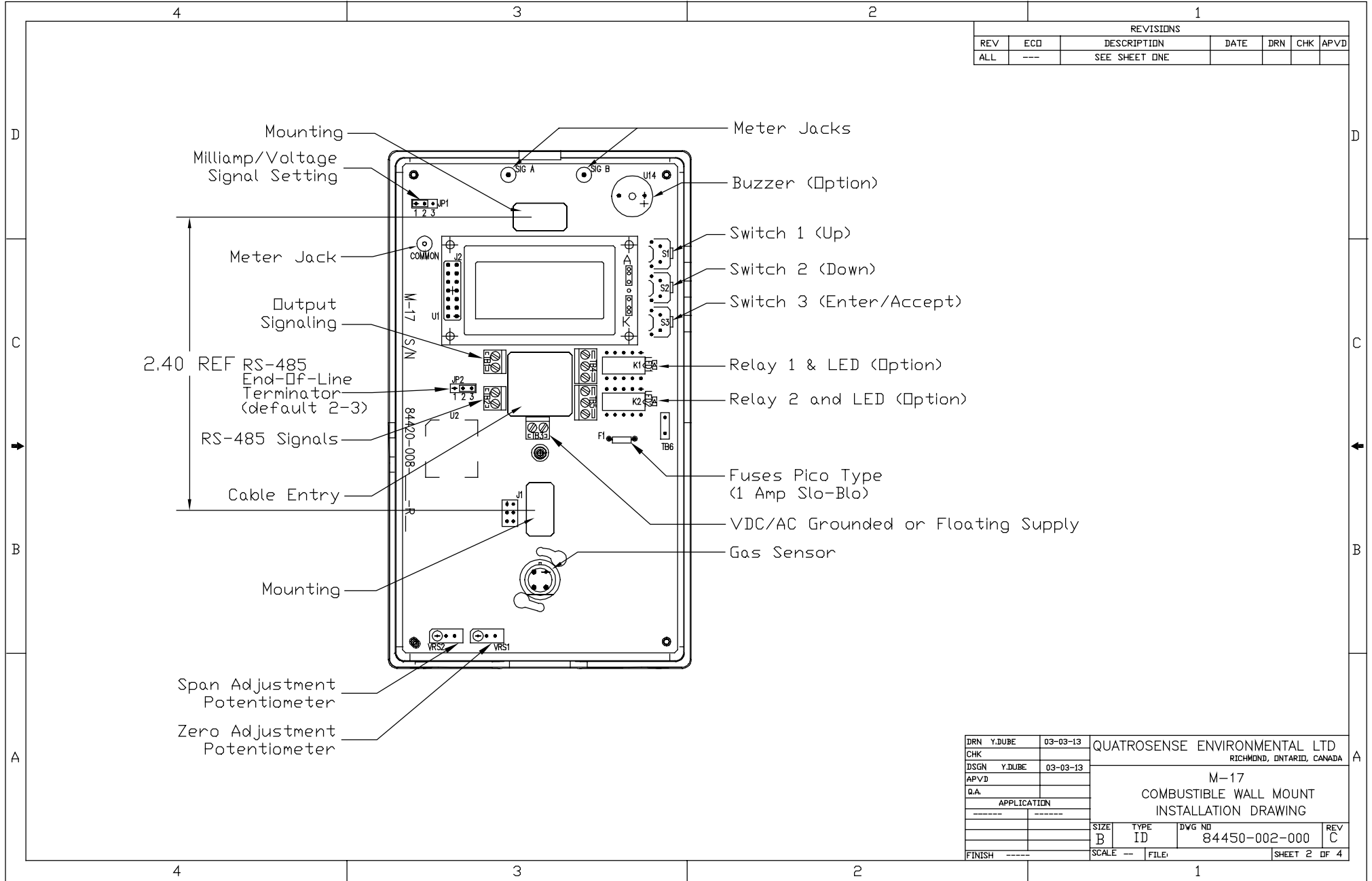
DRN	Y.DUBE	03-03-13	QUATROSENSE ENVIRONMENTAL LTD		
CHK			RICHMOND, ONTARIO, CANADA		
DSGN	BC/DH	04-10-07	M-17 COMBUSTIBLE WALL MOUNT INSTALLATION DRAWING		
APVD					
Q.A.			SIZE	TYPE	DWG NO
APPLICATION			B	ID	84450-002-000
FINISH			SCALE	FILE	REV C
					SHEET 1 OF 4

4

3

2

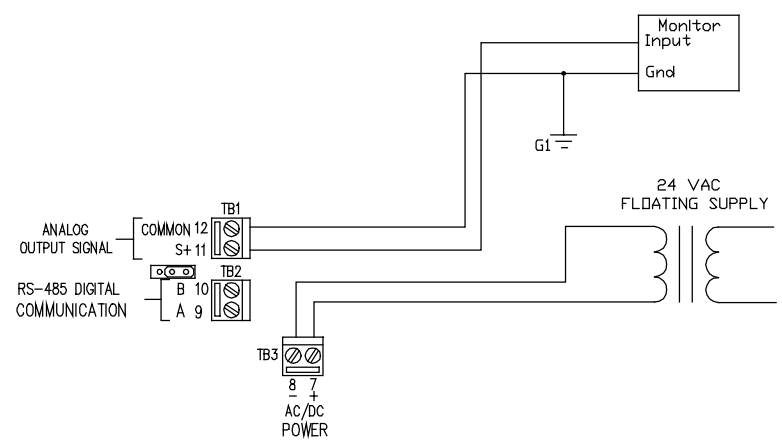
1



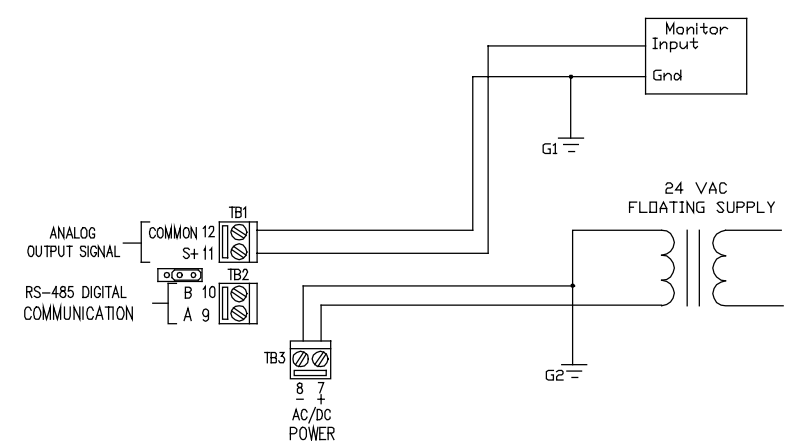
REVISIONS						
REV	ECD	DESCRIPTION	DATE	DRN	CHK	APVD
ALL	---	SEE SHEET ONE				

DRN	Y.DUBE	03-03-13	QUATROSENSE ENVIRONMENTAL LTD			
CHK			RICHMOND, ONTARIO, CANADA			
DSGN	Y.DUBE	03-03-13	M-17 COMBUSTIBLE WALL MOUNT INSTALLATION DRAWING			
APVD						
G.A.			REV C			
APPLICATION			SIZE	TYPE	DWG NO	REV
			B	ID	84450-002-000	C
FINISH			SCALE	FILE	SHEET 2 OF 4	

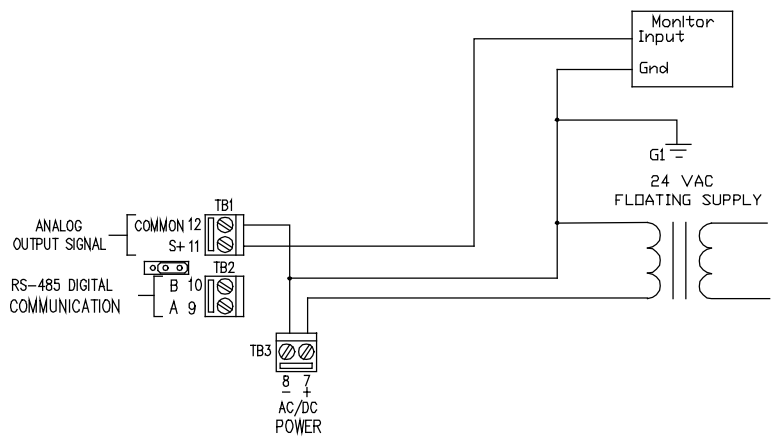
REVISIONS						
REV	ECO	DESCRIPTION	DATE	DRN	CHK	APVD
ALL	---	SEE SHEET ONE				



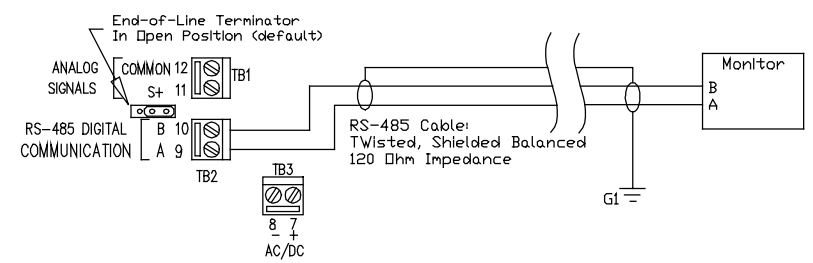
24VAC Floating Supply With 4-Wire Installation



24VAC Floating Supply With Separate Grounds



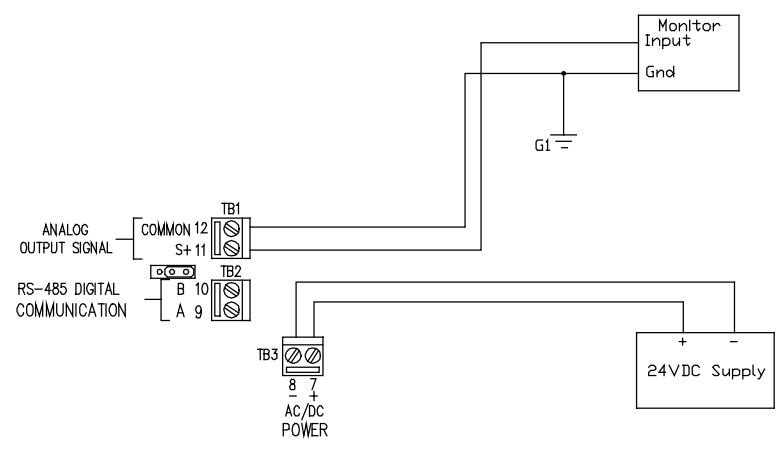
24VAC Supply With Common Ground



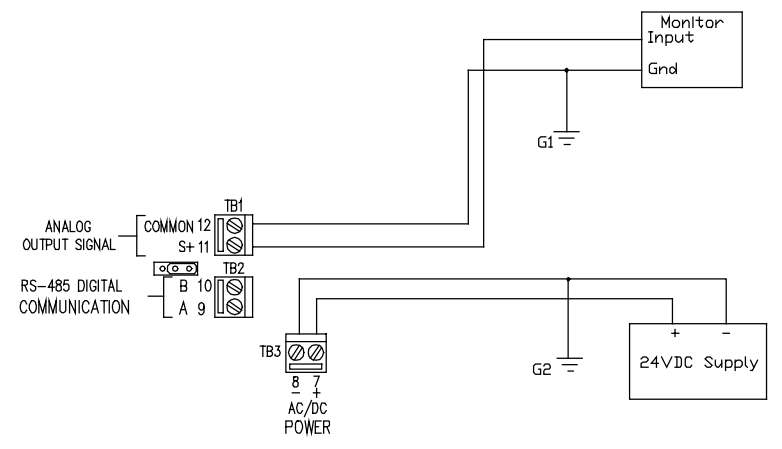
RS-485 Terminations (TB2 and JP2)

DRN	Y.DUBE/DH	04-10-07	QUATROSENSE ENVIRONMENTAL LTD			
CHK			RICHMOND, ONTARIO, CANADA			
DSGN	DH	04-10-07	M-17			
APVD						
G.A.			COMBUSTIBLE WALL MOUNT			
APPLICATION			INSTALLATION DRAWING			
SIZE	B	TYPE	ID	DWG NO	84450-002-000	REV
FINISH		SCALE		FILE		C
					SHEET 3	OF 4

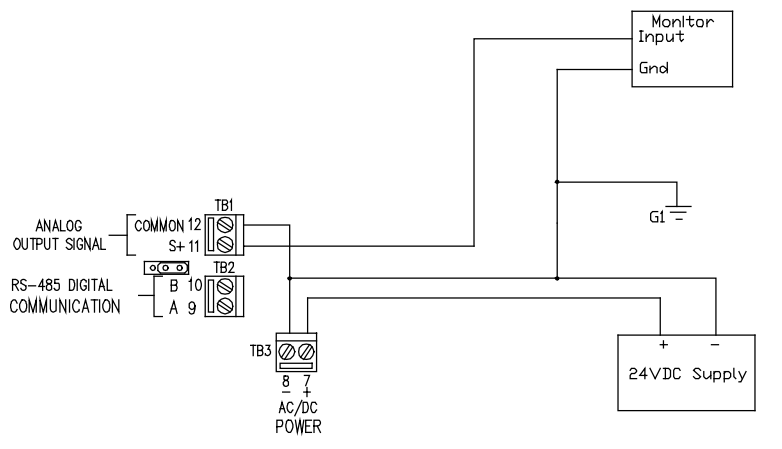
REVISIONS						
REV	ECO	DESCRIPTION	DATE	DRN	CHK	APVD
ALL	---	SEE SHEET ONE				



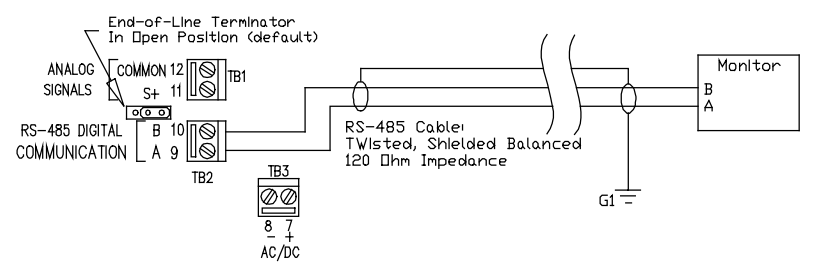
24VDC Floating Supply With 4-Wire Installation



24VDC Floating Supply With Separate Grounds



24VDC Supply With Common Ground



RS-485 Terminations (TB2 and JP2)

DRN	Y.DUBE/DH	04-10-07	QUATROSENSE ENVIRONMENTAL LTD			
CHK			RICHMOND, ONTARIO, CANADA			
DSGN	DH	04-10-07	M-17			
APVD			COMBUSTIBLE WALL MOUNT			
G.A.			INSTALLATION DRAWING			
APPLICATION			SIZE	TYPE	DWG NO	REV
			B	ID	84450-002-000	C
FINISH			SCALE	FILE		SHEET 4 OF 4