

4

3

2

1

REVISIONS						
REV	ECD	DESCRIPTION	DATE	DRN	CHK	APVD
A	664	FIRST RELEASE	04-11-10	YD/DH	DH	DH
B	715	UPDATE J2 DEFAULT	05-05-13	DH	DH	DH

SPECIFICATIONS:

POWER SUPPLY

24 VAC or 24 VDC (Nominal)
 Less than 100 milliamps operating
 Allow 250 milliamps turn-on surge
 Range: DC: 18 to 30 VDC
 AC: 18 to 30 VAC

SIGNAL OUTPUT

4-20 mA linear
 OR
 2-10 VDC linear

OPERATING RANGE

0-100% LEL (Display)
 Fully Adjustable Signal Assignment of 4-20 mA (2-10VDC)

SENSOR

Catalytic

GAS TYPE

Butane, Ethanol, Methane, Propane
 Gen LEL (General LEL → Other Combustibles)

MOUNTING HEIGHT

Methane = 1 Ft (0.3m) From Ceiling
 Butane, Ethanol, Propane = 1 Ft (0.3m) From Floor
 Gen LEL = Mount according to requirement for gas

ENVIRONMENT

Temperature: -4°F to 104°F (-20°C to 40°C)
 Humidity: 0 to 99 % Non-Condensing

SENSOR/TRANSMITTER MOUNTING

Wall or Conduit Mounting
 Drill mounting holes and seal to meet NEMA 4X.

CABLE ENTRY

From bottom of enclosure through 1/2" conduit entry.

ENCLOSURE

ABS Plastic Fire Retardant
 Environment: NEMA 4X

WIRE

Connectors: Terminal blocks, screw type for lead wire.
 Size: Min. 26 AWG (0.40mm)
 Size: Max. 16 AWG (1.3 mm)

ALARM OPTION

Relays (2) 1 Amp SPDT
 Buzzer

DRN	Y.DUBE	03-03-13	QUATROSENSE ENVIRONMENTAL LTD			
CHK			RICHMOND, ONTARIO, CANADA			
DSGN	BC/DH	04-10-07	M-17			
APVD			COMBUSTIBLE NEMA 4 COMMERCIAL			
Q.A.			INSTALLATION DRAWING			
APPLICATION			SIZE	TYPE	DWG NO	REV
			B	ID	84450-005-000	B
FINISH			SCALE	FILE	SHEET 1 OF 4	

D

C

B

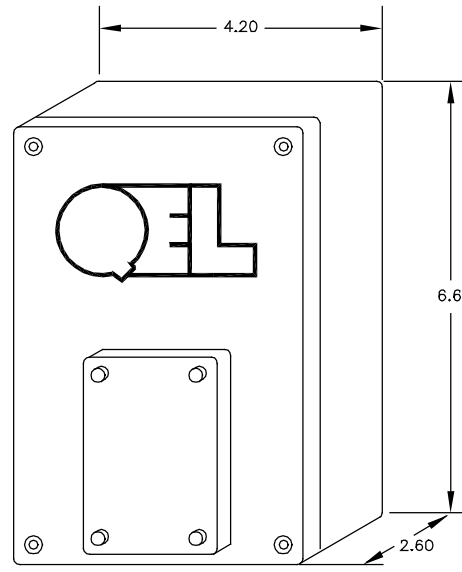
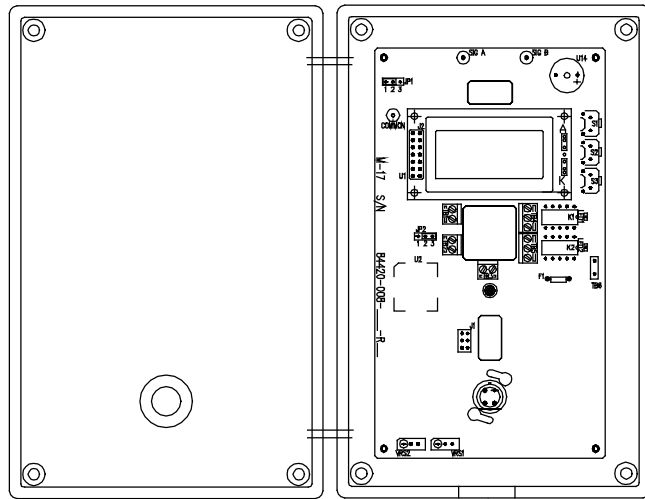
A

D

C

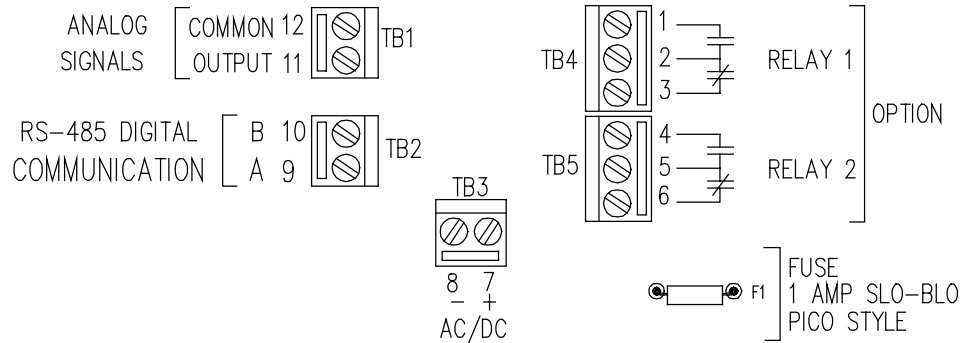
B

A



1/2" CONDUIT ENTRY FROM BOTTOM

WIRING CONNECTIONS:



4

3

2

1

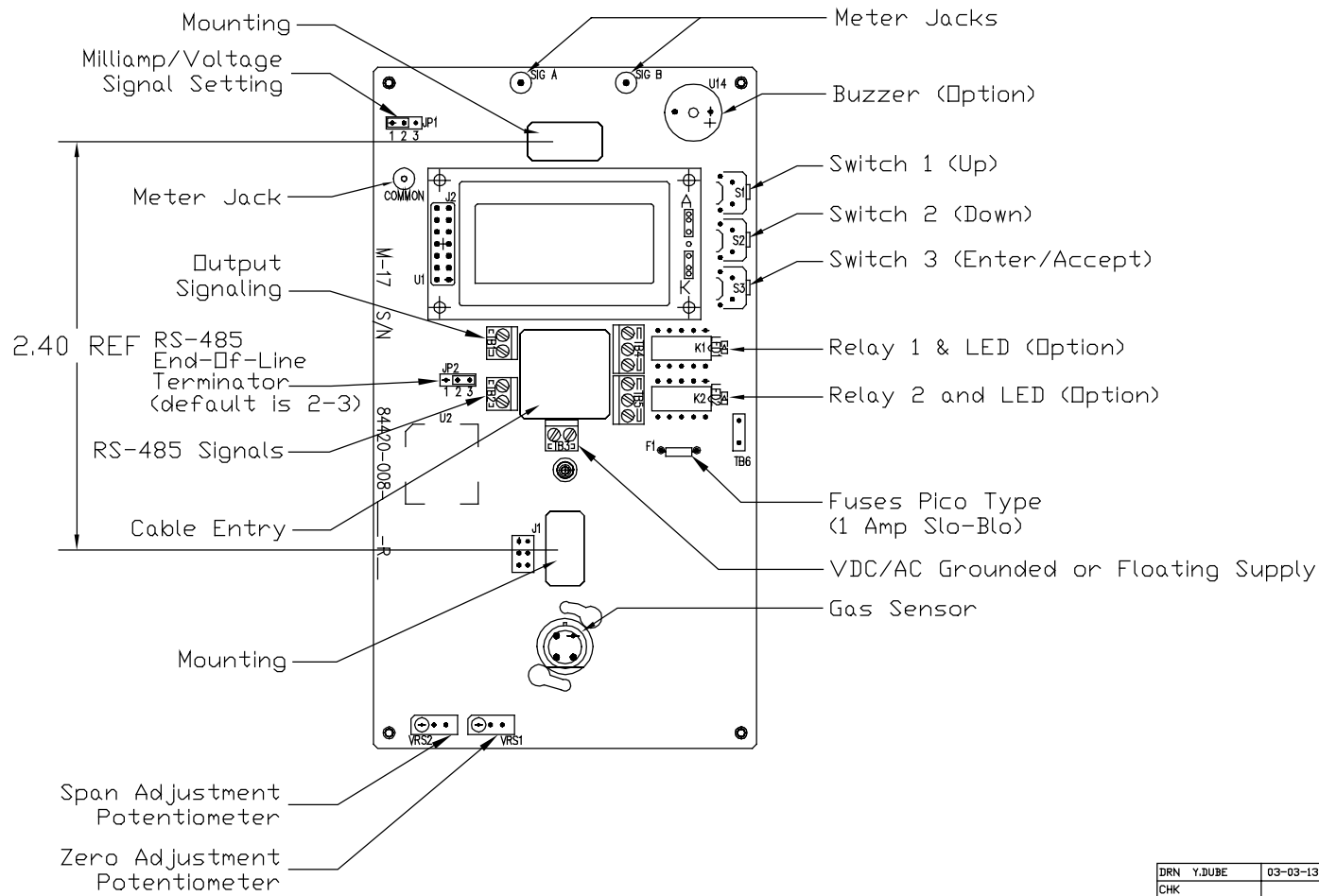
4

3

2

1

REVISIONS						
REV	ECD	DESCRIPTION	DATE	DRN	CHK	APVD
ALL	---	SEE SHEET ONE				



DRN	Y.DUBE	03-03-13	QUATROSENSE ENVIRONMENTAL LTD			
CHK			RICHMOND, ONTARIO, CANADA			
DSGN	Y.DUBE	03-03-13	M-17			
APVD			COMBUSTIBLE NEMA 4 COMMERCIAL			
G.A.			INSTALLATION DRAWING			
APPLICATION			SIZE	TYPE	DWG NO	REV
			B	ID	84450-005-000	B
FINISH			SCALE	FILE	SHEET 2 OF 4	

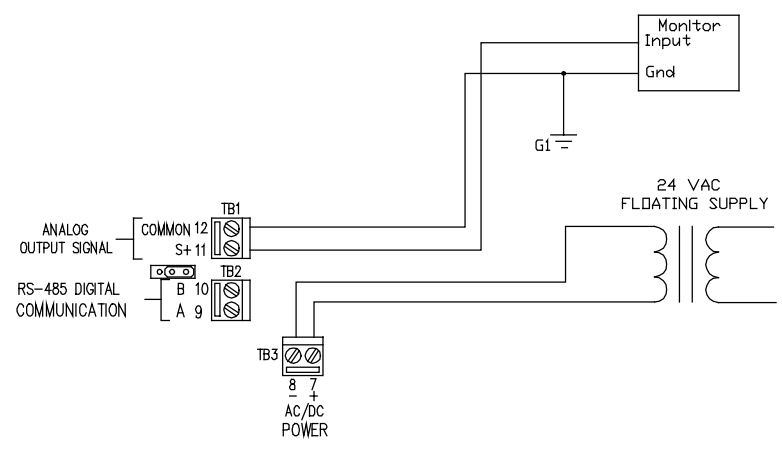
4

3

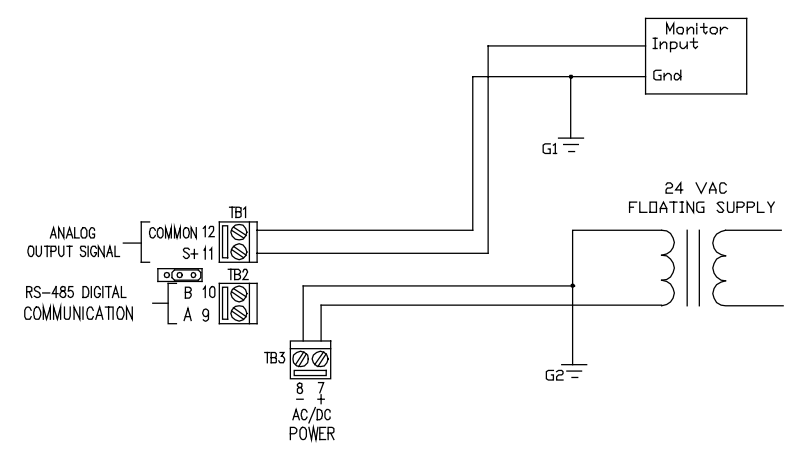
2

1

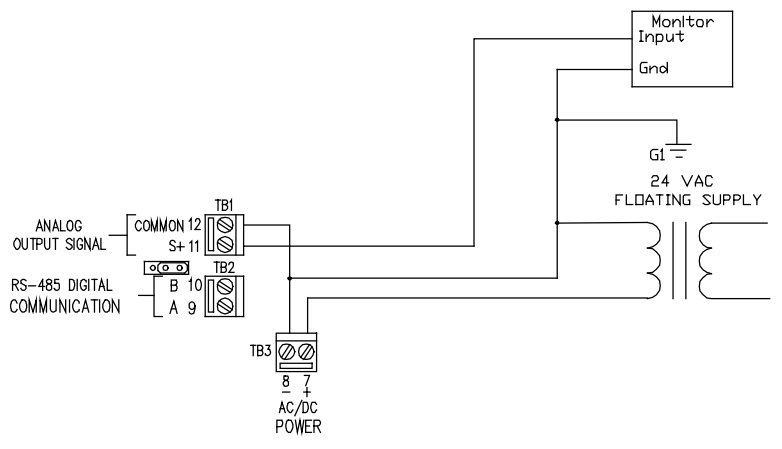
REVISIONS						
REV	ECO	DESCRIPTION	DATE	DRN	CHK	APVD
ALL	---	SEE SHEET ONE				



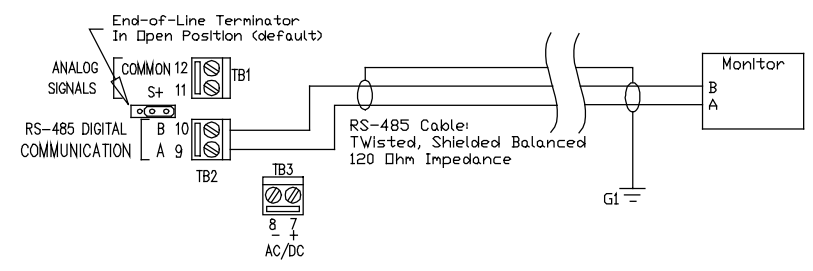
24VAC Floating Supply With 4-Wire Installation



24VAC Floating Supply With Separate Grounds



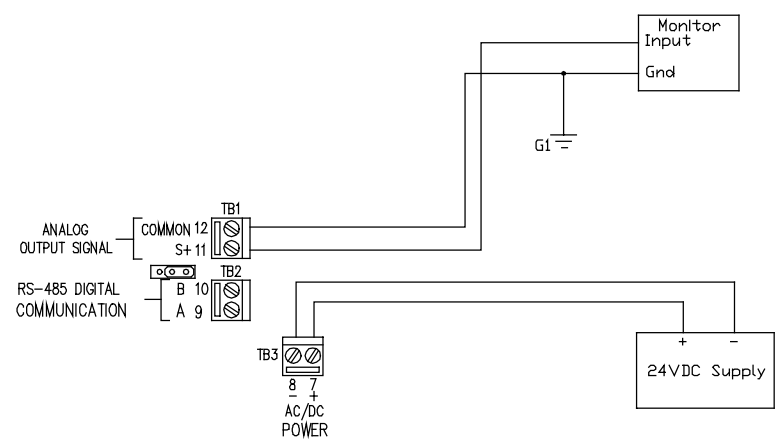
24VAC Supply With Common Ground



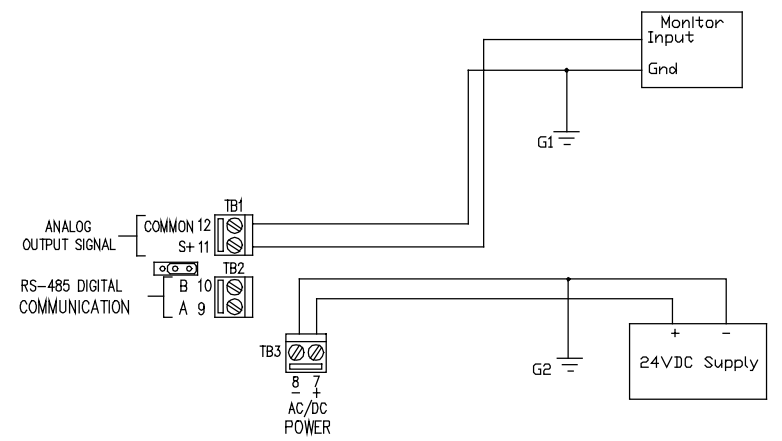
RS-485 Terminations (TB2 and JP2)

DRN	Y.DUBE/DH	04-10-07	QUATROSENSE ENVIRONMENTAL LTD RICHMOND, ONTARIO, CANADA			
CHK			M-17			
DSGN	DH	04-10-07	COMBUSTIBLE NEMA 4 COMMERCIAL INSTALLATION DRAWING			
APVD			APPLICATION			
G.A.			SIZE B TYPE ID DWG NO 84450-005-000 REV B			
FINISH			SCALE -- FILE SHEET 3 OF 4			

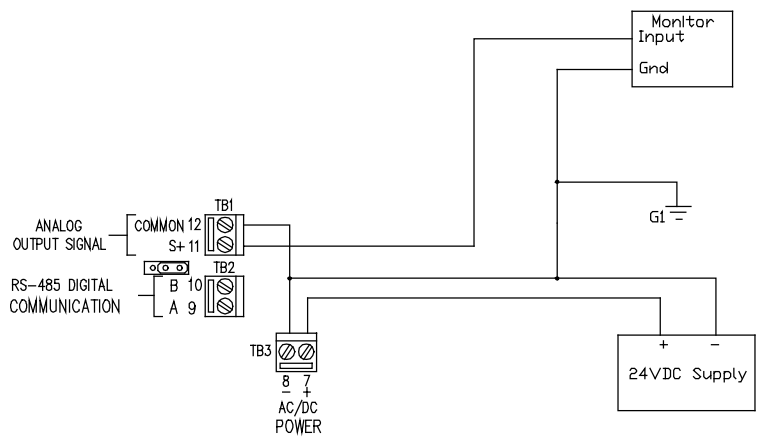
REVISIONS						
REV	ECO	DESCRIPTION	DATE	DRN	CHK	APVD
ALL	---	SEE SHEET ONE				



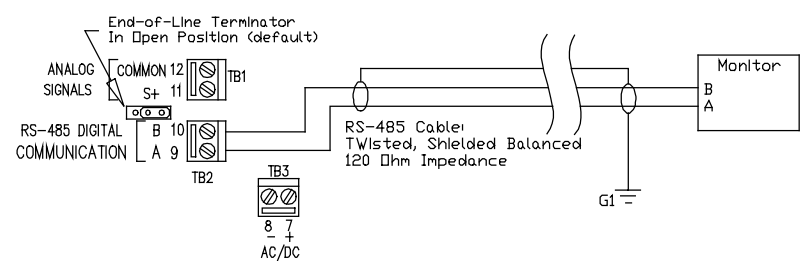
24VDC Floating Supply With 4-Wire Installation



24VDC Floating Supply With Separate Grounds



24VDC Supply With Common Ground



RS-485 Terminations (TB2 and JP2)

DRN	Y.DUBE/DH	04-10-07	QUATROSENSE ENVIRONMENTAL LTD			
CHK			RICHMOND, ONTARIO, CANADA			
DSGN	DH	04-10-07	M-17			
APVD			COMBUSTIBLE NEMA 4 COMMERCIAL			
G.A.			INSTALLATION DRAWING			
APPLICATION			SIZE	TYPE	DWG NO	REV
			B	ID	84450-005-000	B
FINISH			SCALE	FILE		SHEET 4 OF 4