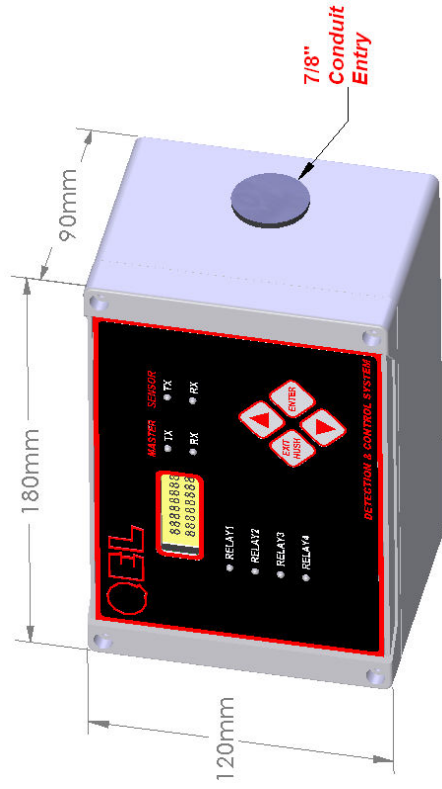
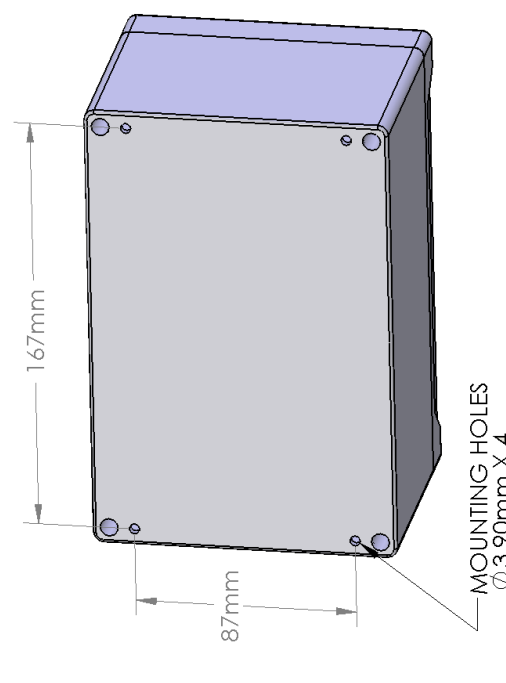


Physical Dimensions:



Installation Holes:



REVISIONS						
ECN	REV.	DESCRIPTION	DATE	DRAW	CHECK	APPROVED
	A	Initial Release	2007/03/16	XY	CG	XY
869	B	Add 7/8" Conduit Entry Dimension	2008/08/05	XY	CG	XY
870	C	Change Buzzer 3 PIN TB to 2 PIN TB	2008/08/21	XY	CG	XY
887	D	Add Detailed Connection for M5 & M17	2008/12/16	XY	CG	XY

SPECIFICATION

INPUT POWER:
 24VDC nominal, range: 18 to 30VDC
 24VAC nominal, range: 15 to 24VAC
 AC Power must be non-grounded (Floating)

FUSE:
 F1: 4.0A Slo-Blo Bussmann P/N: S506-4-R
 F2: 1.0A VERY FAST Littelfuse P/N: 0251001

DISPLAY:
 8 x 2 Character Display c/w Backlight

INDICATOR:
 Master RX TX, Slave RX TX, Relay 1 to Relay4 status

KEYPAD:
 4 Tactile & Audible Keypad

BUZZER, STROBE, HORN:
 24 VDC Transistor Output Terminals

INPUTS:
 max. 4 Channel Digital Sensor
 RS-232 PORT:
 RJ-11 Telephone Jack on Main Board to work with M-View

OPTION:
 Relay Board: 4 x Relay 10A max. Resistive 250VAC, 30VDC
 4-20mA Output Board: Isolated, the output is floating
 RS-485 Board: Isolated, Connect to M-Controller System

ENCLOSURE:
 IP 66 & NEMA 4* 4X* 12 & 13

OPERATING TEMPERATURE:
 -20 °C TO 50 °C

AMBIENT HUMIDITY:
 5% TO 95% RH (NON-CONDENSING)

STORAGE TEMPERATURE:
 -40 °C TO 70 °C

SIZE: 180mm X 120mm X 90mm
WEIGHT: LESS THAN 1.5lbs (0.680 kg)

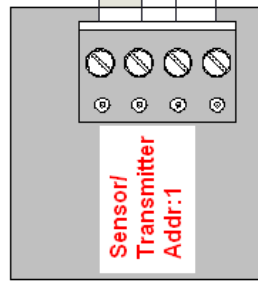
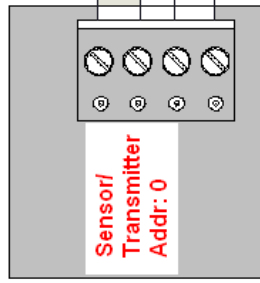
UNLESS OTHERWISE SPECIFIED:		NAME	DATE	Quatrosense Environmental Ltd	
DIMENSIONS ARE IN INCHES		DRAWN	2007/03/16	TITLE:	
TOLERANCES:		CHECKED	2007/03/16	Q4 Controller	
FRACTIONS: 1/2		ENG APPR.	2007/06/16	INSTALLATION DRAWING	
ANGULAR: MACH ±.5 DECIMALS BEND ±		MFG APPR.		SIZE DWG. NO.	
TWO PLACE DECIMAL ±.02		Q. A.		REV	
THREE PLACE DECIMAL ±.010		COMMENTS:		B 85350-002-000 D	
INTERPRET GEOMETRIC TOLERANCING PER:				SCALE: 1:2 WEIGHT:	
MATERIAL:				SHEET 1 OF 8	
FINISH:					
NEXT ASSY USED ON:					
APPLICATION:					
DO NOT SCALE DRAWING					

PROPRIETARY AND CONFIDENTIAL
 THE INFORMATION CONTAINED IN THIS DRAWING IS THE SOLE PROPERTY OF QUATROSENSE ENVIRONMENTAL LTD. ANY REPRODUCTION IN PART OR AS A WHOLE WITHOUT THE WRITTEN PERMISSION OF QUATROSENSE ENVIRONMENTAL LTD. IS PROHIBITED.

Connection:

TO OTHER DIGITAL SENSORS

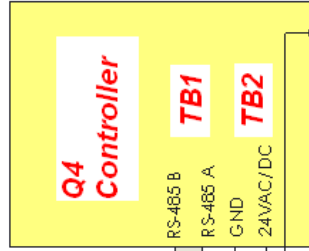
Note: All stubs should be kept as short as possible. (max. 5 inch)



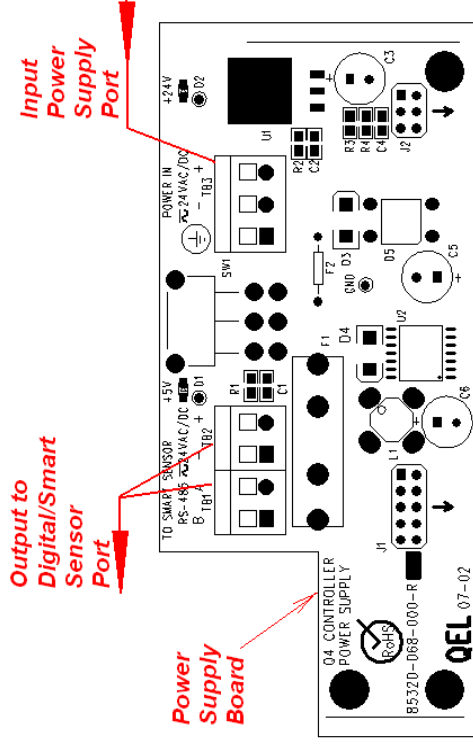
Valid Address: 0 - 3

TO OTHER DIGITAL SENSORS

SHIELD



Power Supply Board Connection:



Power Supply:

Q4 Controller operates on 24V AC 50/60HZ or 24VDC. There are no selections required by the user to select the input power. The input power is connected to the Power Supply Board using the Terminal Block TB3 located inside the unit.

NOTE: the Q4 Controller does NOT convert an AC voltage input to a DC voltage output for the digital/smart sensors.

24 VDC Input => 24 VDC Output on the Digital/Smart Sensor Port
24 VAC Input => 24 VAC Output on the Digital/Smart Sensor Port

NOTE: AC Power must be non-grounded (floating).

REVISIONS

ZONE	REV.	DESCRIPTION	DATE	APPROVED
-	-	See Sheet1	-	-

UNLESS OTHERWISE SPECIFIED:		NAME		DATE	
DIMENSIONS ARE IN INCHES		XY	XY	2007-03-16	2007-03-16
TOLERANCES:		CHECKED	XY	2007-03-16	
FRACTIONAL: ±		ENG APPR.	XY	2007-03-16	
ANGULAR: MACH ±		MG APPR.			
THREE PLACE DECIMAL ±		G. A.			
INTERPRET GEOMETRIC TOLERANCING PER:		COMMENTS:			
MATERIAL:		Q4 Controller			
FINISH:		INSTALLATION DRAWING			
NEXT ASSY		Q4 Controller			
USED ON		Q4 Controller			
APPLICATION		Q4 Controller			
DO NOT SCALE DRAWING		Q4 Controller			

PROPRIETARY AND CONFIDENTIAL
THE INFORMATION CONTAINED IN THIS DRAWING IS THE SOLE PROPERTY OF QUATROSSENSE ENVIRONMENTAL LTD. ANY REPRODUCTION IN PART OR AS A WHOLE WITHOUT THE WRITTEN PERMISSION OF QUATROSSENSE ENVIRONMENTAL LTD IS PROHIBITED.

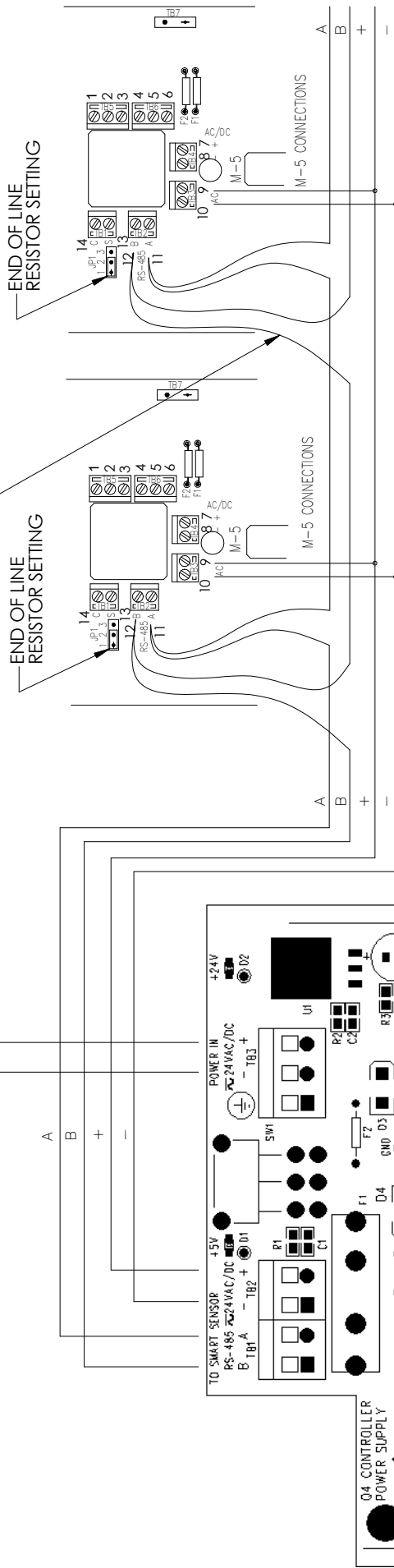
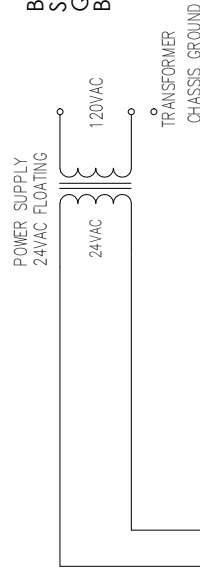
Quatrosense Environmental Ltd		TITLE:		Q4 Controller	
SIZE		DWG. NO.		REV	
B		85350-002-000		D	
SCALE: 1:2		SHEET 1 OF 2		SHEET 2 OF 8	

24VAC Power Supply Q4C and M5 Connection:

NOTE:

BEFORE POWER UP, THE POLARITY OF THE 24VAC POWER SUPPLY SHOULD CHECK CAREFULLY. REVERSING POLARITY ON Q4-CONTROLLER OR M-5 WILL CAUSE THE RS-485 DRIVER CHIPS BLOW UP.

RS-485 CABLE SHOULD WIRE FROM ONE SENSOR TO ANOTHER WITHOUT TEES OR STUB. POWER CABLE DOES NOT MATTER.



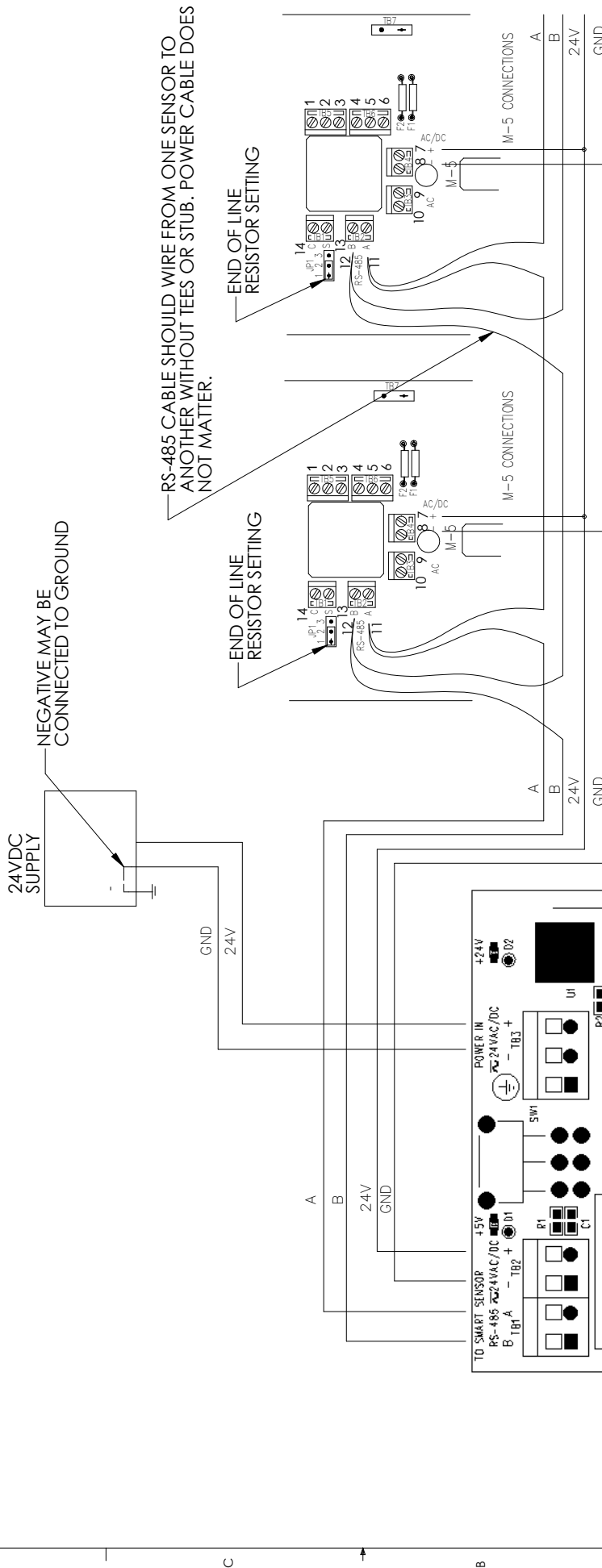
UNLESS OTHERWISE SPECIFIED:		NAME	DATE	Quatrosense Environmental Ltd	
DIMENSIONS ARE IN INCHES	DRAWN	XY	2008/12/16	TITLE:	
FRACTIONAL: 1/16	CHECKED	XY	2008/12/16	INSTALLATION DRAWING	
ANGULAR: MACH 1/2, BEND 3/4	ENG APPR.	XY	2008/12/16	SIZE DWG. NO.	
THREE PLACE DECIMAL 1/16	MFG APPR.	XY	2008/12/16	B 85350-002-000	
INTERPRET GEOMETRIC TOLERANCING PER:	Q.A.	XY	2008/12/16	REV	
MATERIAL:	COMMENTS:	D			
FINISH:		SCALE: 1:4			
USED ON:		SHEET 3 OF 8			
NEXT ASSY:					
APPLICATION:					
DO NOT SCALE DRAWING					

PROPRIETARY AND CONFIDENTIAL
THE INFORMATION CONTAINED IN THIS DRAWING IS THE PROPERTY OF QUATROSENSE ENVIRONMENTAL LTD. NO PART OF THIS DRAWING MAY BE REPRODUCED OR TRANSMITTED IN ANY FORM OR BY ANY MEANS, WITHOUT THE WRITTEN PERMISSION OF QUATROSENSE ENVIRONMENTAL LTD. INSERT COMPANY NAME HERE-B

Q4-CONTROLLER



24VDC Power Supply Q4C and M5 Connection:



REVISIONS		DATE	APPROVED
ZONE	REV.	DESCRIPTION	See Sheet 1
-	-	-	-

UNLESS OTHERWISE SPECIFIED:		NAME	DATE
DIMENSIONS ARE IN INCHES		XY	2008/12/16
TOLERANCES:		XY	2008/12/16
FRACTIONAL: ±		XY	2008/12/16
ANGULAR: MACH: ±		XY	2008/12/16
BEND: ±		XY	2008/12/16
THREE PLACE DECIMAL: ±		XY	2008/12/16
INTERPRET GEOMETRIC TOLERANCING PER:		XY	2008/12/16
MATERIAL:			
FINISH:			
USED ON:			
APPLICATION:			
DO NOT SCALE DRAWING			

PROPRIETARY AND CONFIDENTIAL
 THE INFORMATION CONTAINED IN THIS DRAWING IS THE PROPERTY OF QUATROSENSE ENVIRONMENTAL LTD. ANY REPRODUCTION IN PART OR AS A WHOLE WITHOUT THE WRITTEN PERMISSION OF QUATROSENSE ENVIRONMENTAL LTD. IS STRICTLY PROHIBITED.

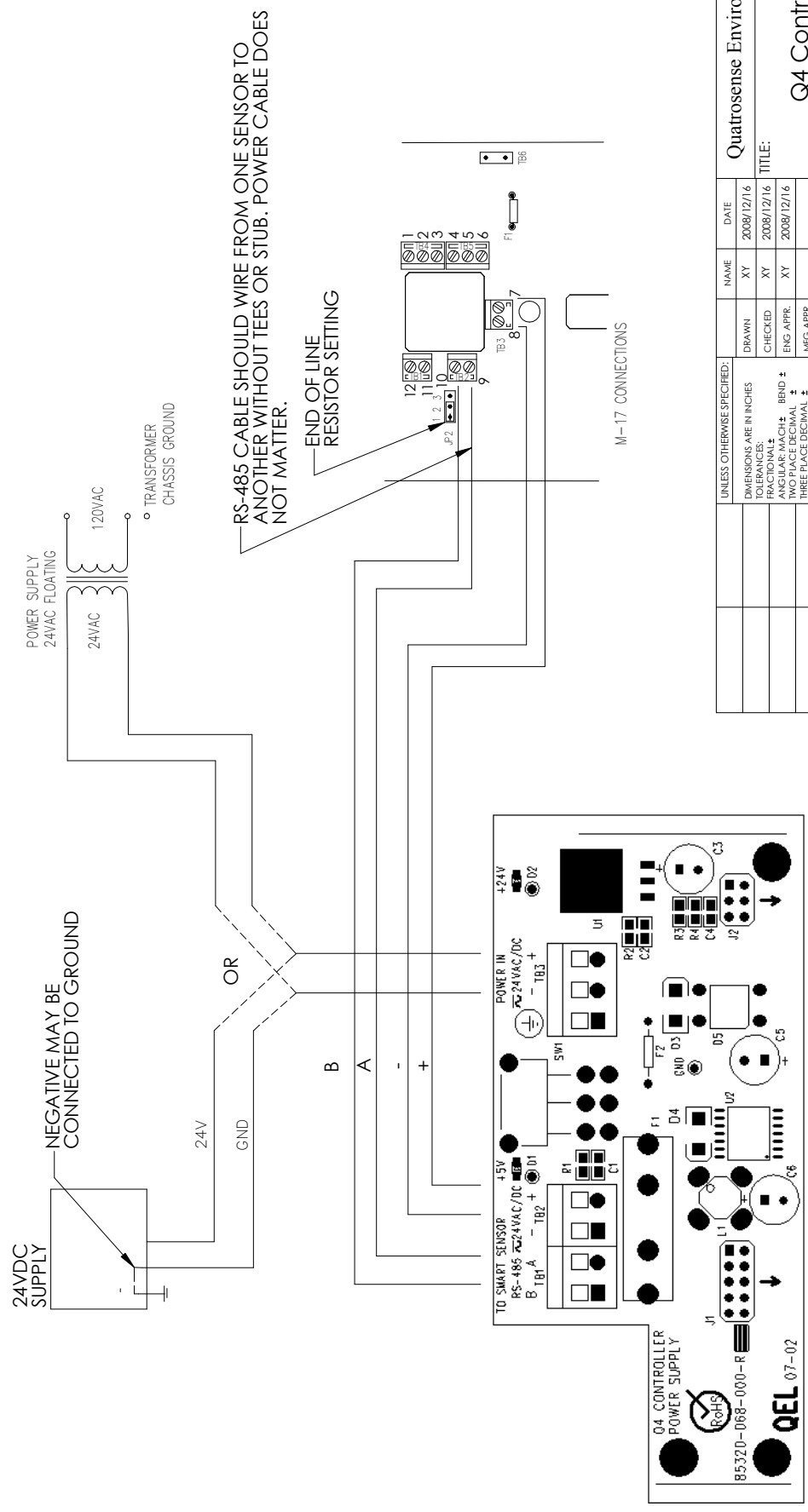
Q4-CONTROLLER

Q4 CONTROLLER POWER SUPPLY
 85320-068-000-R
 RoHS
 QEL 07-02

Quatrosense Environmental Ltd
 TITLE: Q4 Controller INSTALLATION DRAWING
 SIZE DWG. NO. B 85350-002-000
 REV D
 SCALE: 1:4
 SHEET 4 OF 8

24VDC or 24VAC Power Supply Q4C and M17 Connection:

REVISIONS				
ZONE	REV.	DESCRIPTION	DATE	APPROVED
-	-	See Sheet 1	-	-



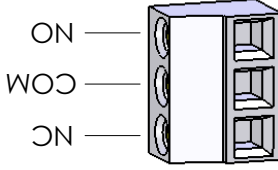
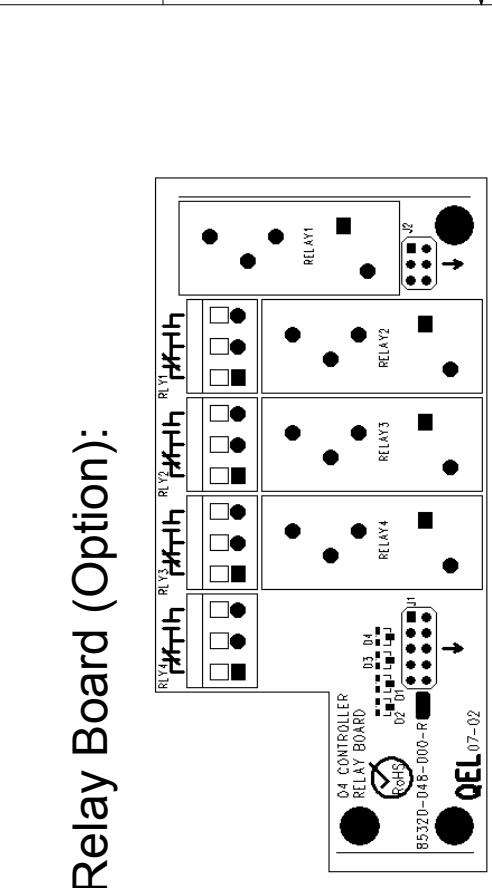
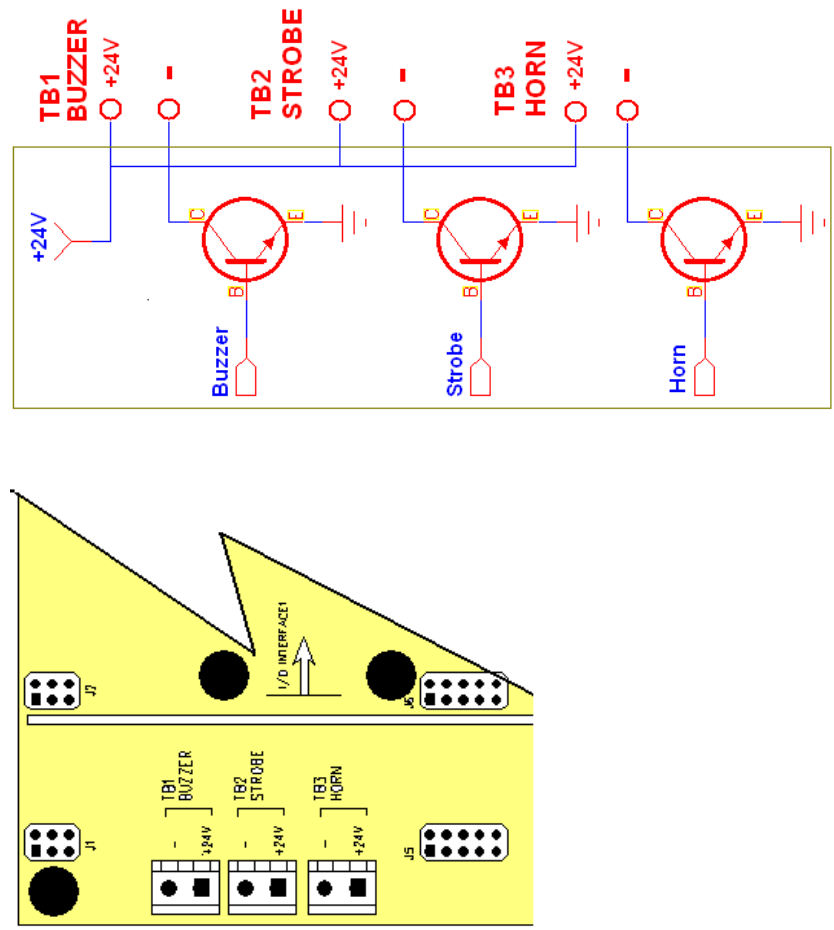
PROPRIETARY AND CONFIDENTIAL
 THE INFORMATION CONTAINED IN THIS DRAWING IS THE PROPERTY OF QUATROSENSE ENVIRONMENTAL LTD. NO PART OF THIS DRAWING MAY BE REPRODUCED IN PART OR AS A WHOLE WITHOUT THE WRITTEN PERMISSION OF QUATROSENSE ENVIRONMENTAL LTD. INSERT COMPANY NAME HERE-> B

Q4-CONTROLLER

UNLESS OTHERWISE SPECIFIED:		NAME		DATE	
DIMENSIONS ARE IN INCHES		XY	XY	2008/12/16	2008/12/16
TOLERANCES:		XY	XY	2008/12/16	2008/12/16
FRACTIONAL: ±		XY	XY	2008/12/16	2008/12/16
ANGULAR: MACH: ±		XY	XY	2008/12/16	2008/12/16
HOLE POSITION: ±		XY	XY	2008/12/16	2008/12/16
THREE PLACE DECIMAL: ±		XY	XY	2008/12/16	2008/12/16
INTERPRET GEOMETRIC TOLERANCING PER:		XY	XY	2008/12/16	2008/12/16
MATERIAL:		COMMENTS:			
FINISH:		NEXT ASSY			
USED ON:		APPLICATION			
DO NOT SCALE DRAWING		SCALE: 1:4			

Quatrosense Environmental Ltd
 TITLE: Q4 Controller
 INSTALLATION DRAWING
 SIZE DWG. NO. B 85350-002-000
 REV D
 SHEET 5 OF 8

Buzzer, Strobe and Horn Connection: I/O Motherboard



Tips:

You might drill an additional access hole to bring the wires into the NEMA 4X enclosure. The access hole should be drilled on the side of the enclosure.

Warning:

Be sure to look inside the unit prior to drilling so that to make sure there is sufficient clearance for the hole and fitting that you are using.
Seal conduit to prevent foreign material from entering the enclosure.

REVISIONS		DATE	APPROVED
ZONE	REV.	DESCRIPTION	See Sheet 1
-	-	-	-

UNLESS OTHERWISE SPECIFIED:		NAME	DATE
DIMENSIONS ARE IN INCHES		XY	2007-03-16
TOLERANCES:		XY	2007-03-16
FRACTIONAL: ±		ENG APPR.	
ANGULAR: MACH: ± BEND: ±		MG APPR.	
DECIMAL: ±		G. A.	
THREE PLACE DECIMAL: ±		COMMENTS:	
INTERPRET GEOMETRIC TOLERANCING PER:			
MATERIAL:			
FINISH:			
USED ON:			
APPLICATION:			
DO NOT SCALE DRAWING			

Quatrosense Environmental Ltd	
TITLE: Q4 Controller	
INSTALLATION DRAWING	
SIZE	REV
B	D
DWG. NO. 85350-002-000	
SCALE: 2:1	SHEET 7 OF 8

