

REVISONS										
REV	ECO	DESCRIPTION	DATE	DRN	CHK	APVD				
A	---	FIRST RELEASE	03-10-14	YD	BC	BC				
B	649	CHANGE TEMPERATURE	2004/08	XY	XY	XY				
C	685	RS-485 DEFAULTS	05-02-04	DH	CG	DH				
D	785	POTENTIOMETER ADJUSTMENT	06-10-04	CLG	CLG	XY				

SPECIFICATIONS:

POWER SUPPLY
 24 VAC or 24 VDC (Nominal)
 Less than 100 milliamps operating
 Allow 250 milliamps turn-on surge

Range: DC: 15 to 40 VDC
 AC: 12 to 28 VAC

SIGNAL OUTPUT
 4-20 mA linear
 OR
 2-10 VDC linear

OPERATING RANGE
 SEE Sensor Selection Table

SENSOR
 Electrochemical sensor

ENVIRONMENT
 Temperature: -4°F to 104°F (-20°C to 40°C)
 Humidity: 0 to 99 % Non-Condensing

SENSOR/TRANSMITTER MOUNTING
 Wall Mounting :
 Mount holes fit standard Switch Box

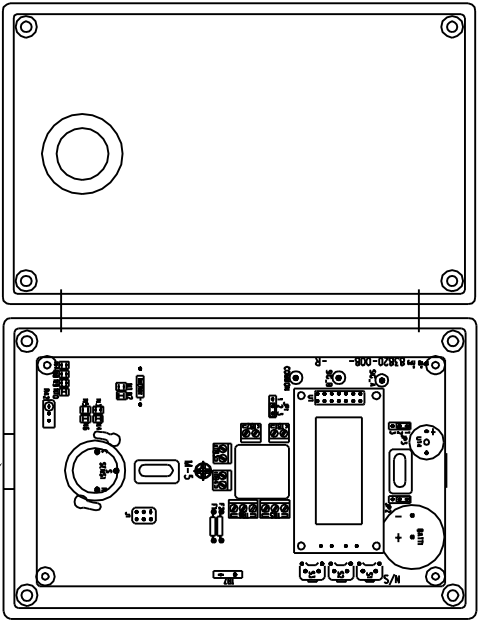
CABLE ENTRY
 From back of enclosure 94 V-0

ENCLOSURE
 ABS Plastic Fire Retardant
 Environment: NEMA 4X

WIRE
 Connectors: Terminal blocks,
 screw type for lead wire.

Size: Min. 26 AWG (0.40mm)
 Size: Max. 16 AWG (1.3 mm)

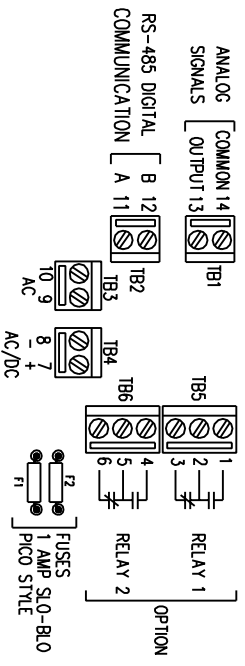
ALARM OPTION
 Relays (2) 1 Amp SPDT
 Buzzer



Sensor Selection Table

Code	Gas	Symbol	Ranges			Mounting Heights
			Signal Range Standard	Signal Range Maximum	Display Range	
130	Oxygen	O2	25%	25%	25%	4-6 Ft (1.5-2m)
150	Nitrogen Dioxide	NO2	6 PPM	10 PPM	10 PPM	0-2 Ft (0-0.5m)
160	Carbon Monoxide	CO	125	125	125	4-6 Ft (1.5-2m)
190	Nitric Oxide	NO	100	100	100	4-6 Ft (1.5-2m)
220	Ammonia	NH3	50	50	50	0-2 Ft (0-0.5m) From Ceiling

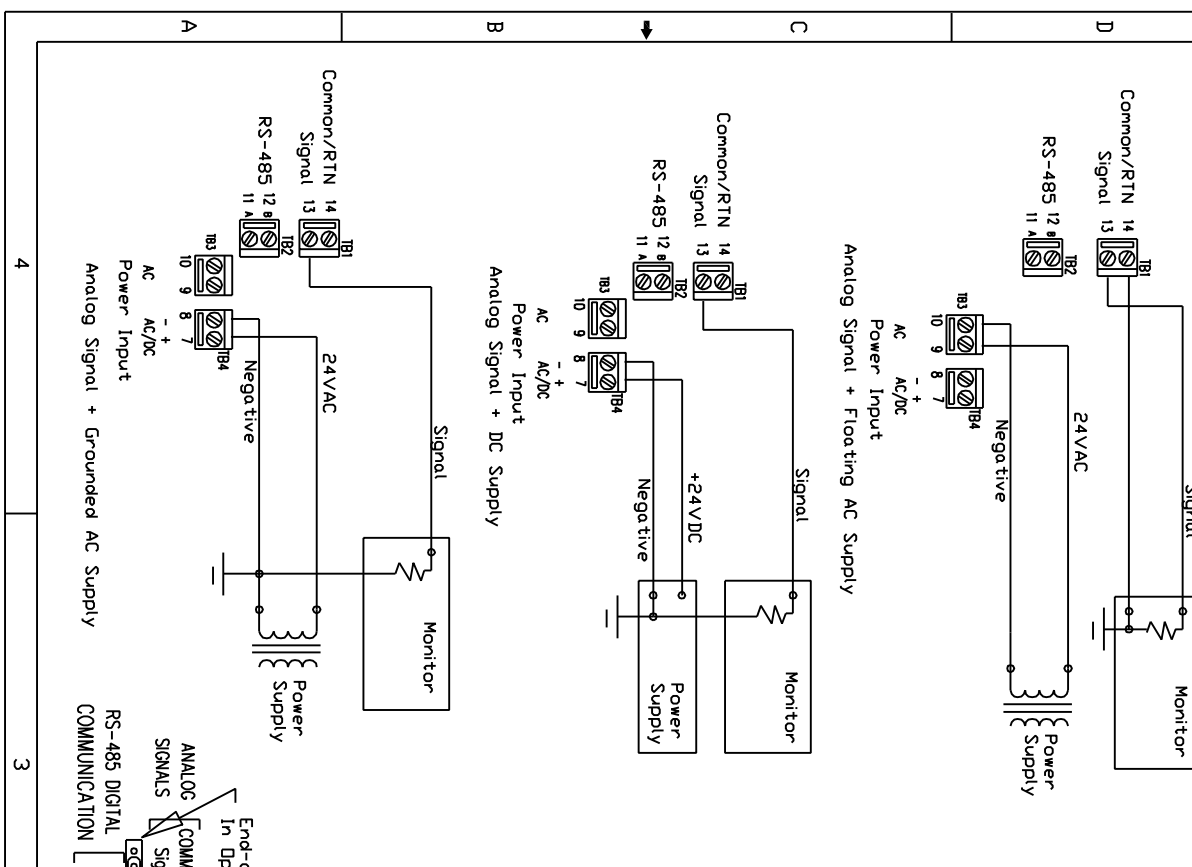
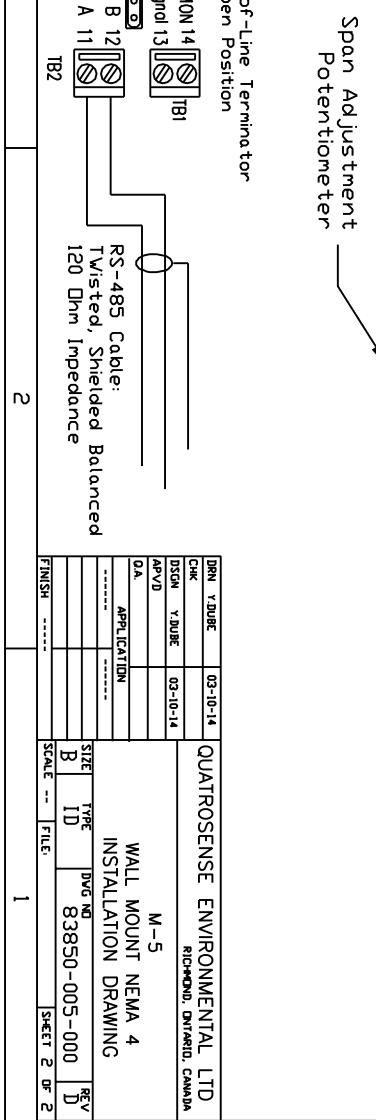
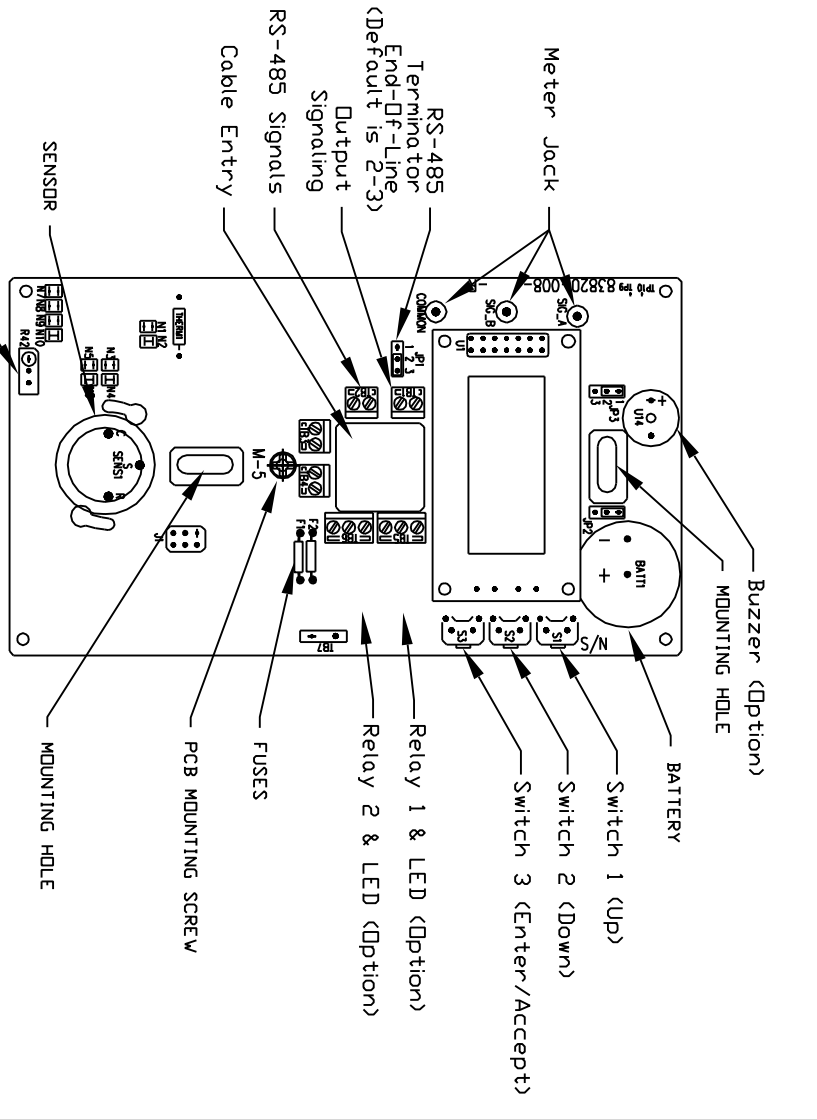
WIRING CONNECTIONS:



DRN Y.DRBE	03-10-14	QUATROSENSE ENVIRONMENTAL LTD	M-5
CHK		RICHMOND, ONTARIO CANADA	
DISCN Y.DRBE	03-10-14		
APVD			
QA			
APPLICATION		WALL MOUNT NEMA 4	
INSTALLATION DRAWING		83850-005-000	
SIZE	B	DWG NO	D
TYPE	ID	REV	D
SCALE	---	FILE	SHEET 1 OF 2

4 3 2 1

REVISIONS			
REV	ECD	DESCRIPTION	DATE
ALL	---	SEE SHEET ONE	



DRN Y.DUBE	03-10-14	QUATROSENSE ENVIRONMENTAL LTD
CHK		RICHMOND, ONTARIO, CANADA
DISC V.DUBE	03-10-14	
APVD		
QA		
APPLICATION		
M-5 WALL MOUNT NEMA 4 INSTALLATION DRAWING		
SIZE	TYPE	DWG NO
B	D	83850-005-000
SCALE	FILE	SHEET 2 OF 2