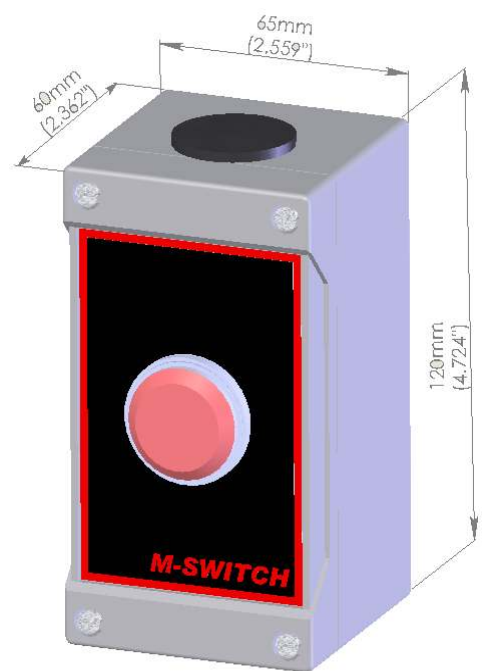
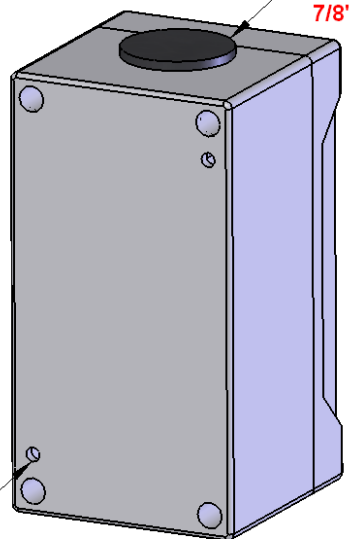


8 7 6 5 4 3 2 1

REVISIONS						
ECN	REV.	DESCRIPTION	DATE	DRAW	CHECK	APPROVED
866	A	Initial Release	2008-07-10	XY	XY	XY
904	B	ADD ON-OFF SWITCH STYLE	2009-06-03	XY	XY	XY

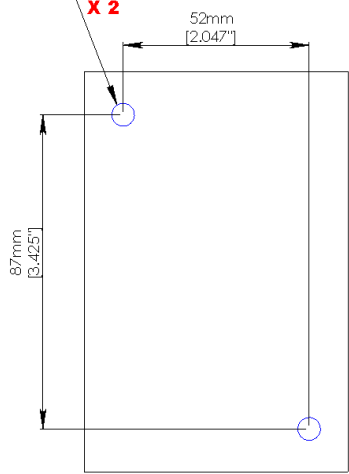


CONDUIT ENTRY 7/8"



MOUNTING HOLES DIA 3.90mm (0.153") X 2

MOUNTING HOLES DIA 3.90mm (0.153") X 2



FRONT VIEW

SPECIFICATION

INPUT POWER:
 +24VDC nominal, range: 18 to 30VDC 1.0A DC Total Max.
 ~24VAC nominal, range: 15 to 24VAC 50/60HZ 1.0A AC Total Max.
 (AC must not be grounded)

FUSE:
 F1 on Main Board: 1A Very Fast-Acting Fuse
 Littelfuse: Axial Lead and Cartridge Fuse
 Part Number: 02510001

SWITCH INPUT:
 MOMENTARY SWITCH INPUT (J2 PIN2-4 DEFAULT)
 ON-OFF SWITCH INPUT (J2 PIN4-6)

OUTPUT SIGNAL:
 RS-485 with OPTOMUX PROTOCOL
 Output 0 at Switch Status = OFF
 Output 9999 at Switch Status = ON
 AVAILABLE CONTROLLER: M-CONTROLLER or Q4 CONTROLLER

ENCLOSURE:
 IP 66 & NEMA 4, 4X, 12 & 13
 COVER SCREWS SHOULD BE TORQUED TO 2.5 lbs-in (30 cN-m)

OPERATING TEMPERATURE:
 -45 °C TO 65 °C

AMBIENT HUMIDITY:
 5% TO 95% RH (NON- CONDENSING)

STORAGE TEMPERATURE:
 -45 °C TO 70 °C

SIZE:
 120mm X 65mm X 60mm

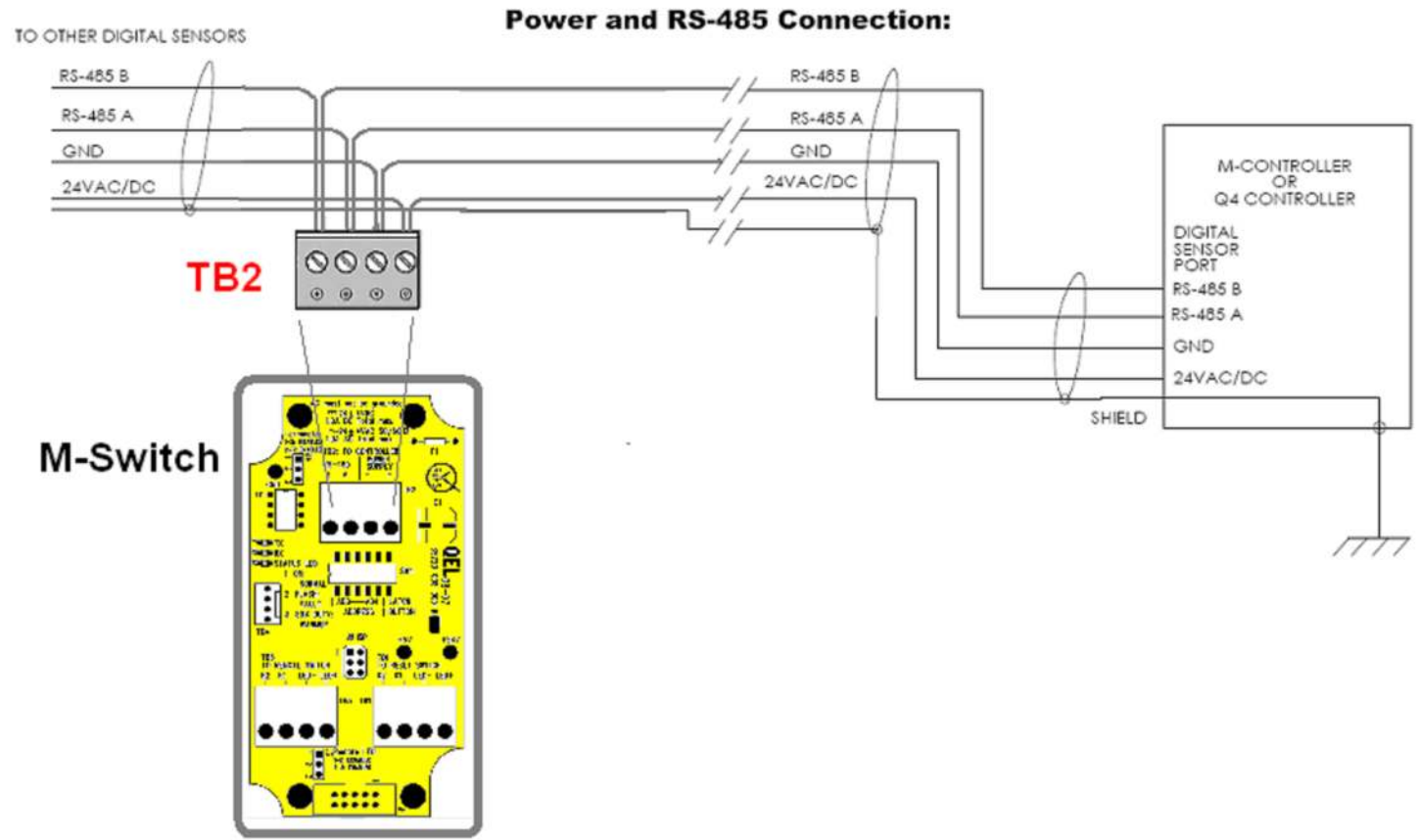
WEIGHT:
 LESS THAN 0.5lbs (0.227kg)

PROPRIETARY AND CONFIDENTIAL
 THE INFORMATION CONTAINED IN THIS DRAWING IS THE SOLE PROPERTY OF Quatrosense Environmental Ltd. ANY REPRODUCTION IN PART OR AS A WHOLE WITHOUT THE WRITTEN PERMISSION OF Quatrosense Environmental Ltd. IS PROHIBITED.

		UNLESS OTHERWISE SPECIFIED:				Quatrosense Environmental Ltd	
		DIMENSIONS ARE IN INCHES		DRAWN		TITLE: M-SWITCH INSTALLATION DRAWING	
		TOLERANCES:		XY			
		FRACTIONAL: ± 1/32		2008/07/10			
		ANGULAR:		XY			
		MACH ± .5 degrees BEND ± TWO PLACE DECIMAL ± .02 THREE PLACE DECIMAL ± .010		2008/07/10			
		INTERPRET GEOMETRIC TOLERANCING PER:		ENG APPR.			
		MATERIAL:		MFG APPR.			
		FINISH:		Q.A.			
NEXT ASSY		USED ON		COMMENTS:			
APPLICATION		DO NOT SCALE DRAWING					
				SIZE		DWG. NO.	
				B		85750-002-000	
				REV		B	
				SCALE: 1:2		WEIGHT:	
						SHEET 1 OF 4	

8 7 6 5 4 3 2 1

REVISIONS				
ZONE	REV.	DESCRIPTION	DATE	APPROVED
-	-	See Sheet1	-	-



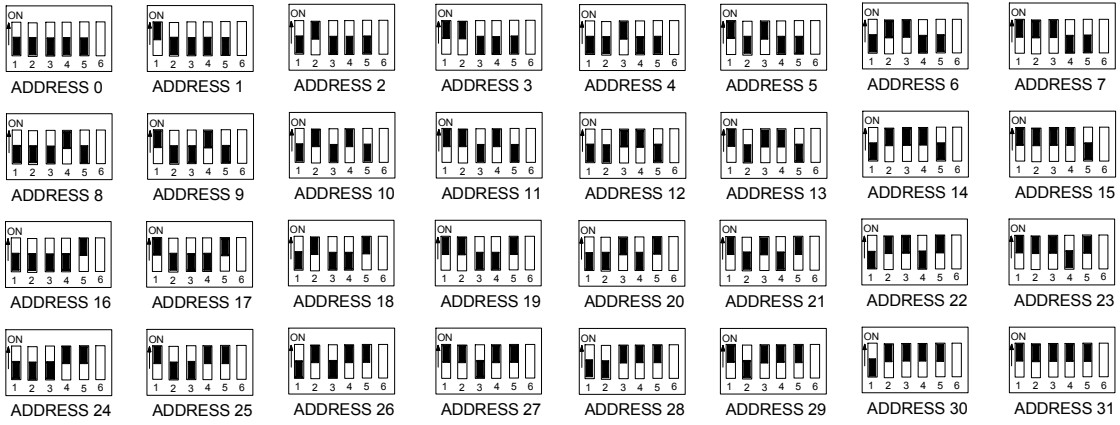
- NOTE:**
- GROUND THE SHIELD IN CONTROLLER SIDE
 - GROUND ON ONE END ONLY
 - J4 1-2: TERMINATOR DISABLED / OFF (DEFAULT)
 - J4 2-3: TERMINATOR ENABLED / ON

PROPRIETARY AND CONFIDENTIAL
 THE INFORMATION CONTAINED IN THIS DRAWING IS THE SOLE PROPERTY OF <INSERT COMPANY NAME HERE>. ANY REPRODUCTION IN PART OR AS A WHOLE WITHOUT THE WRITTEN PERMISSION OF <INSERT COMPANY NAME HERE> IS PROHIBITED.

		UNLESS OTHERWISE SPECIFIED:		NAME		DATE		Quatrosense Environmental Ltd	
		DIMENSIONS ARE IN INCHES		DRAWN		XY		2008/07/10	
		TOLERANCES:		CHECKED		XY		2008/07/10	
		FRACTIONAL: ±		ENG APPR.		XY		2008/07/10	
		ANGULAR: MACH ± BEND ±		MFG APPR.					
		TWO PLACE DECIMAL ±		Q.A.					
		THREE PLACE DECIMAL ±		COMMENTS:					
		INTERPRET GEOMETRIC TOLERANCING PER:							
		MATERIAL							
		FINISH							
NEXT ASSY		USED ON						SIZE B	
APPLICATION		DO NOT SCALE DRAWING						DWG. NO. 85750-002-000	
								REV B	
								SCALE: 1:2	
								SHEET 2 OF 4	

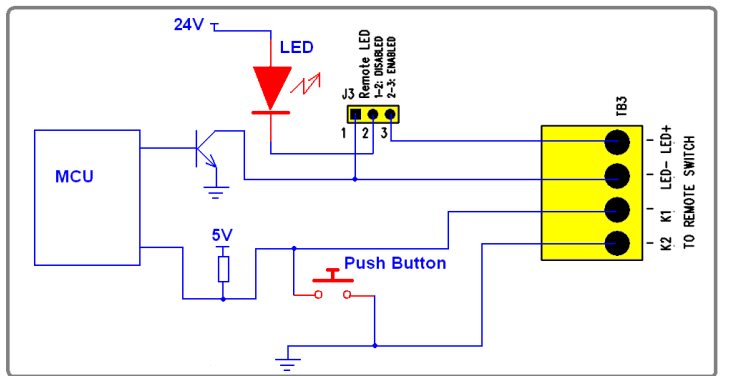
8 7 6 5 4 3 2 1

Address Table

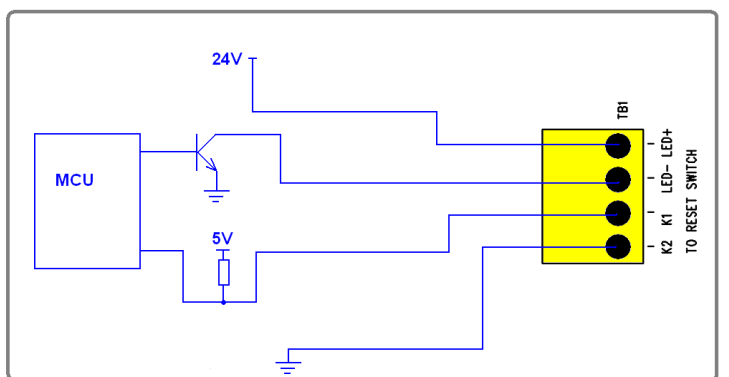


REVISIONS				
ZONE	REV.	DESCRIPTION	DATE	APPROVED
-	-	See Sheet1	-	-

Remote Switch Schematic



Reset Switch Schematic

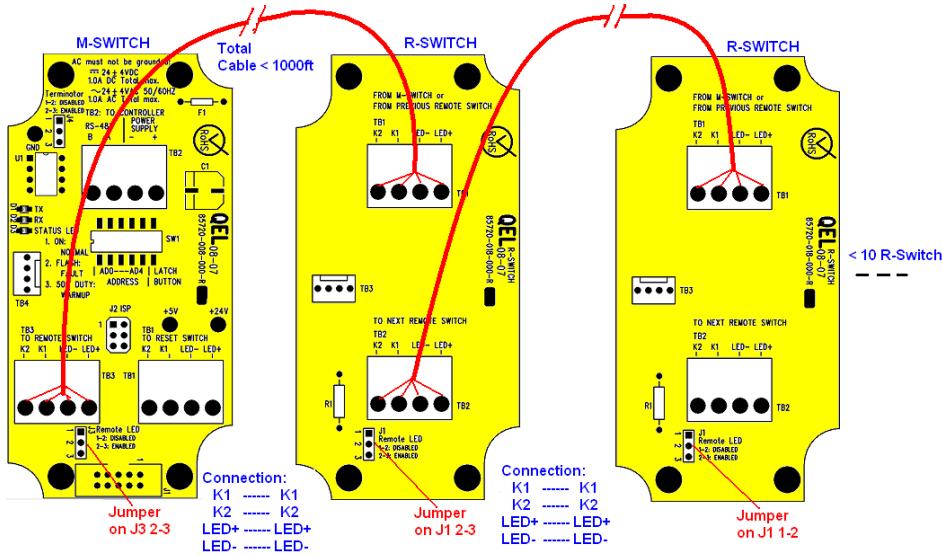


PROPRIETARY AND CONFIDENTIAL
THE INFORMATION CONTAINED IN THIS DRAWING IS THE SOLE PROPERTY OF <INSERT COMPANY NAME HERE>. ANY REPRODUCTION IN PART OR AS A WHOLE WITHOUT THE WRITTEN PERMISSION OF <INSERT COMPANY NAME HERE> IS PROHIBITED.

UNLESS OTHERWISE SPECIFIED:		NAME	DATE	Quatrosense Environmental Ltd TITLE: M-SWITCH INSTALLATION DRAWING	
DIMENSIONS ARE IN INCHES		DRAWN	XY		2008/07/10
TOLERANCES:		CHECKED	XY		2008/07/10
FRACTIONAL: ±		ENG APPR.	XY		2008/07/10
ANGULAR: MACH ± BEND ±		MFG APPR.			
TWO PLACE DECIMAL ±		Q.A.			
THREE PLACE DECIMAL ±		COMMENTS:			
INTERPRET GEOMETRIC TOLERANCING PER:					
MATERIAL:					
FINISH:					
NEXT ASSY	USED ON			SIZE B DWG. NO. 85750-002-000 REV B	
APPLICATION		DO NOT SCALE DRAWING		SCALE: 1:2 SHEET 3 OF 4	

8 7 6 5 4 3 2 1

M-Switch and R-Switch Connection

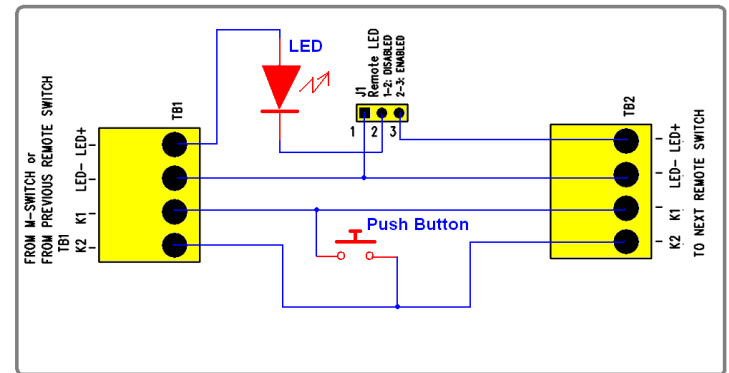


REVISIONS				
ZONE	REV.	DESCRIPTION	DATE	APPROVED
-	-	See Sheet1	-	-

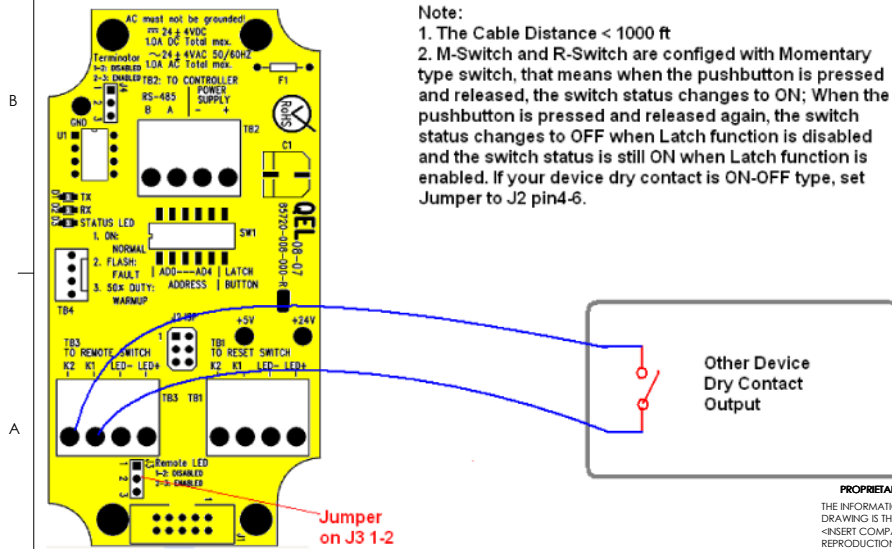
Note:
 The left drawing only shows the connection of M-Switch Reset Switch Terminal Block. The connection of M-Switch Reset Switch Terminal Block is the same except Reset Switch does not need J3 settings.

Connection:
 K1 <---> K1
 K2 <---> K2
 LED+ <---> LED+
 LED- <---> LED-

R-Switch Schematic

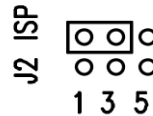


M-Switch and Dry Contact Output Connection

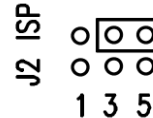


Note:
 1. The Cable Distance < 1000 ft
 2. M-Switch and R-Switch are configured with Momentary type switch, that means when the pushbutton is pressed and released, the switch status changes to ON; When the pushbutton is pressed and released again, the switch status changes to OFF when Latch function is disabled and the switch status is still ON when Latch function is enabled. If your device dry contact is ON-OFF type, set Jumper to J2 pin4-6.

Momentary Switch Input



ON-OFF Switch Input



PROPRIETARY AND CONFIDENTIAL
 THE INFORMATION CONTAINED IN THIS DRAWING IS THE SOLE PROPERTY OF <INSERT COMPANY NAME HERE>. ANY REPRODUCTION IN PART OR AS A WHOLE WITHOUT THE WRITTEN PERMISSION OF <INSERT COMPANY NAME HERE> IS PROHIBITED.

UNLESS OTHERWISE SPECIFIED:		NAME	DATE	Quatrosense Environmental Ltd	
DIMENSIONS ARE IN INCHES		DRAWN	XY		2008/07/10
TOLERANCES: FRACTIONAL: ±		CHECKED	XY		2008/07/10
ANGULAR: MACH ± BEND ± TWO PLACE DECIMAL ± THREE PLACE DECIMAL ±		ENG APPR.	XY		2008/07/10
INTERPRET GEOMETRIC TOLERANCING PER:		MFG APPR.		TITLE: M-SWITCH INSTALLATION DRAWING	
MATERIAL		Q.A.			
NEXT ASSY	USED ON	COMMENTS:		SIZE: B	
APPLICATION		DO NOT SCALE DRAWING		DWG. NO. 85750-002-000	
				REV B	
				SCALE: 1:2	
				SHEET 4 OF 4	