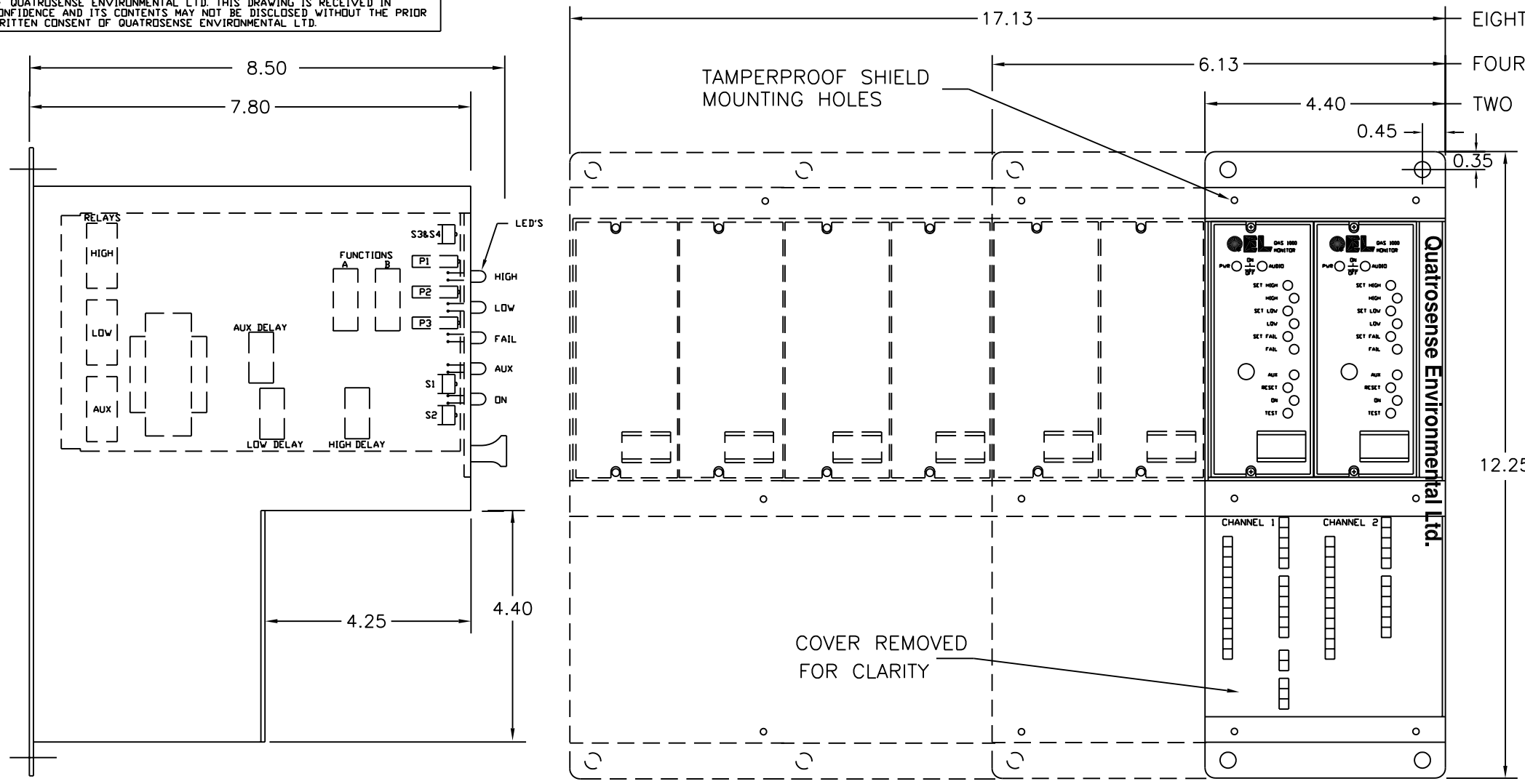


THIS DRAWING CONTAINS INFORMATION WHICH IS THE PROPRIETARY PROPERTY OF QUATROSENSE ENVIRONMENTAL LTD. THIS DRAWING IS RECEIVED IN CONFIDENCE AND ITS CONTENTS MAY NOT BE DISCLOSED WITHOUT THE PRIOR WRITTEN CONSENT OF QUATROSENSE ENVIRONMENTAL LTD.

REVISIONS						
REV	ECD	DESCRIPTION	DATE	DRN	CHK	APVD
--	---	DWG No. NG.1	93-06	MS		
A	---	NEW RELEASE/NEW DDC No.	96-02-05	MS	BC	RD
B	137	UPDATE TEMPERATURE	97-11-21	YD		



SPECIFICATIONS:

POWER SUPPLY
 120 VAC, +10%-15%, 50 to 60 Hz
 5 VA per Module

RELAYS
 240 VAC/30 VDC
 5 Amps Res./3.7 Amps Ind.

ALARM SETTINGS (STANDARD)
 Low Setpoint: 35 PPM NH₃
 High Setpoint: 70 PPM NH₃

SENSOR
 Solid State 1-5 VDC Remote Sensor

ENVIRONMENT
CONTROLLER
 Temperature: -4°F to 122°F (-20°C to 50°C)
 Humidity: 0 to 99 % Non-Condensing
SENSOR
 Temperature: -22°F to 104°F (-30°C to 40°C)
 Humidity: 0 to 90 % Non-Condensing

SENSOR MOUNTING
 At ceiling height.
 Do not mount near fans or doors where high velocity drafts occur or where clean air enters.

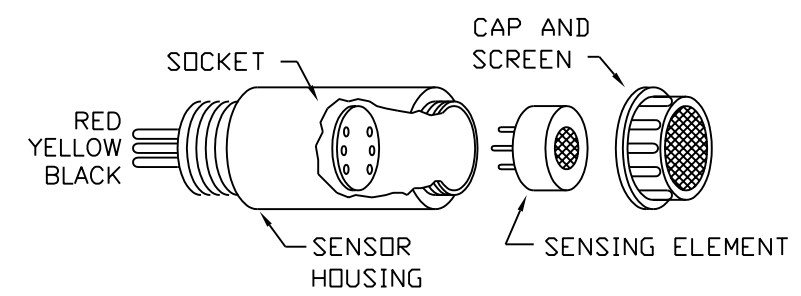
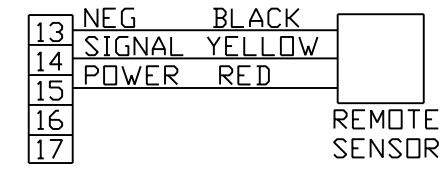
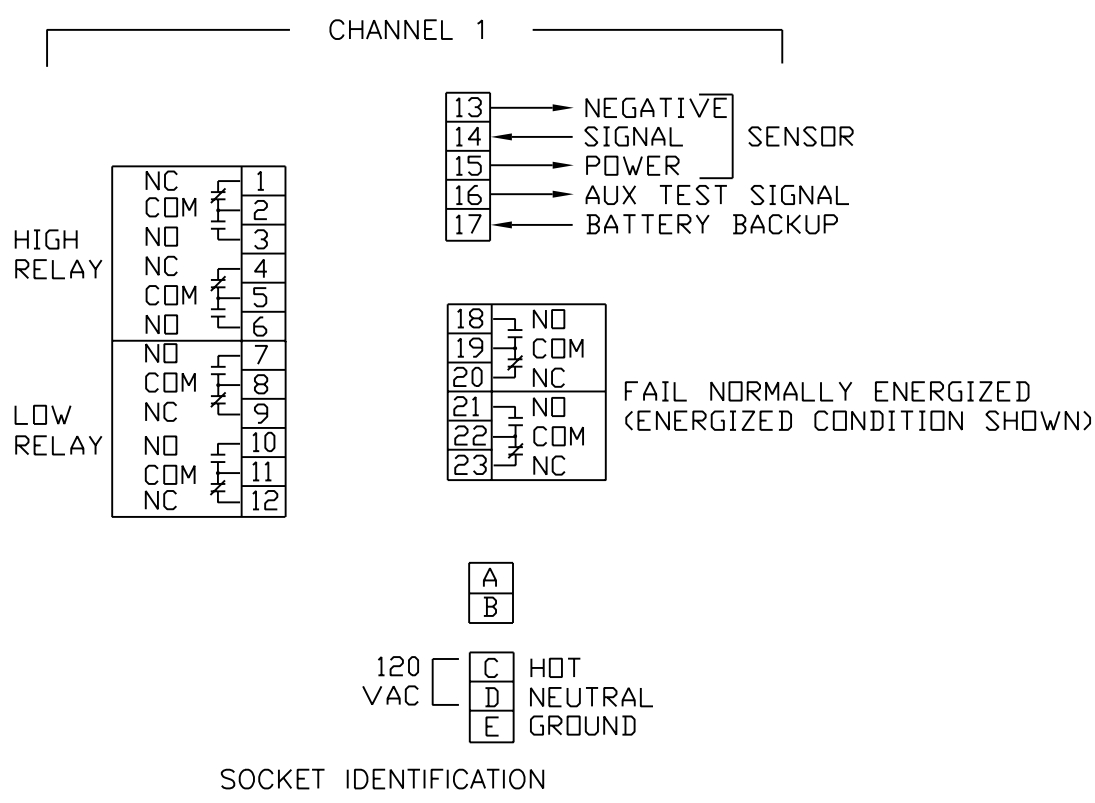
CABLE ENTRY
 1/2" Conduit entry holes supplied from bottom

ENCLOSURE
 18 Gauge steel, Grey, NEMA 1
WIRE
 Connection: Terminal block,
 Size: Min. 24 AWG (Ø0.51 mm)
 Size: Max. 14 AWG (Ø1.6 mm)

LISTING/APPROVALS
 CSA, C22.2 - No. 205, UL recognized DPDT relays

PANEL SIZE
 2 Channel QCP-52000X-0000000
 4 Channel QCP-54000X-0000000
 8 Channel QCP-58000X-0000000

PAINTING
 When painting in the area, turn unit OFF,
 seal sensor opening with masking tape.



DRN	M. SIRDIS	95-09-20	QUATROSENSE ENVIRONMENTAL LTD			
CHK	B. CURRIE	96-02-05	RICHMOND, ONTARIO, CANADA			
DSGN	B. CURRIE	95-03-16	MULTI-CHANNEL QAS-1000 SERIES QAS-10022X-0000000			
APVD	----	----				
Q.A.	----	----	AMMONIA			
APPLICATION			SIZE	TYPE	DWG NO	REV
-----			B	ID	22050.007	B
DIMENSIONS ARE IN INCHES. DIMENSIONS IN PARENTHESES ARE IN MILLIMETERS AND SHOWN FOR REFERENCE ONLY			SCALE	FILENAME:	SHEET	OF
			--	225007B.DWG	0	1 OF 1