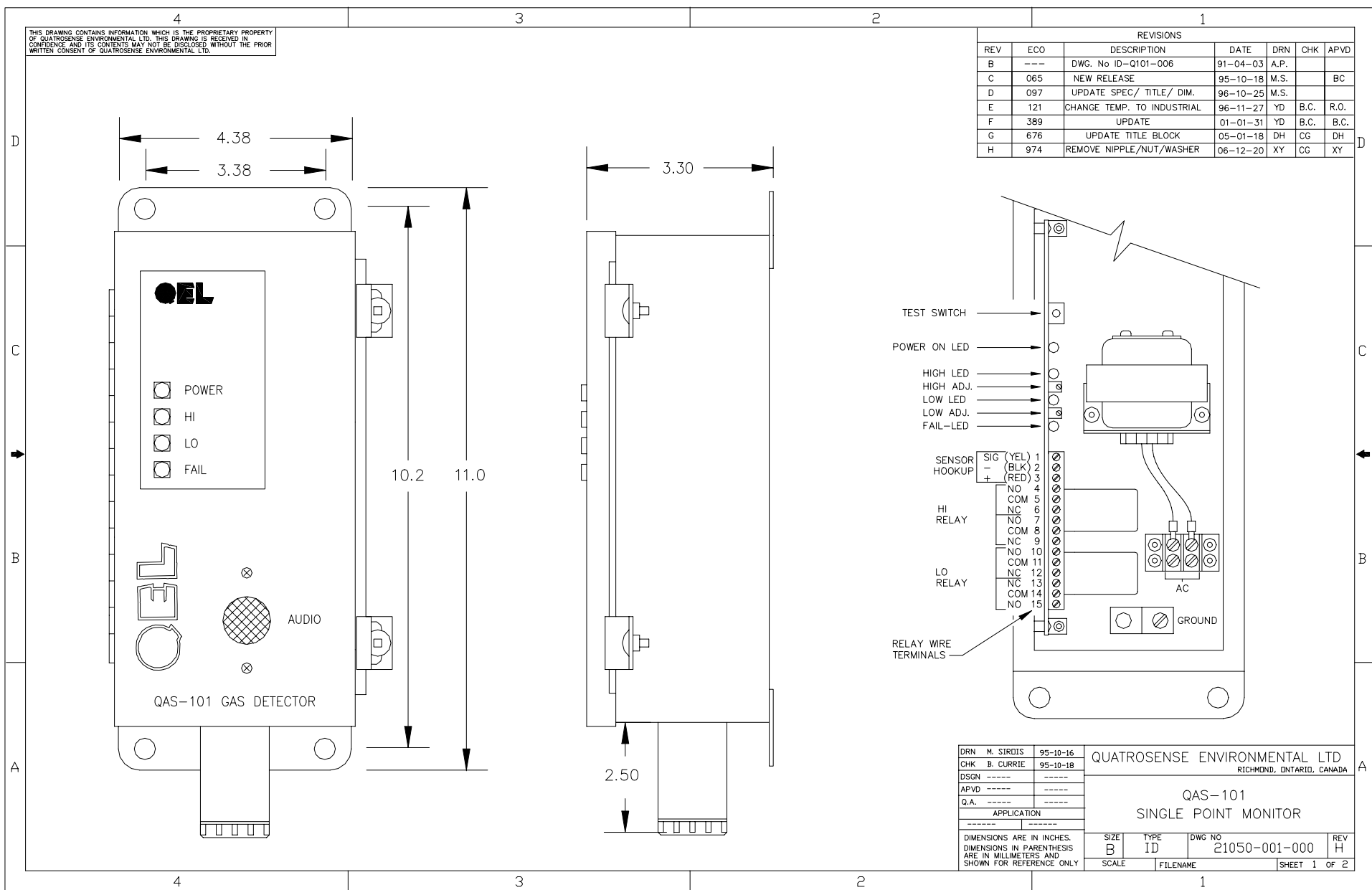


THIS DRAWING CONTAINS INFORMATION WHICH IS THE PROPRIETARY PROPERTY OF QUATROSENSE ENVIRONMENTAL LTD. THIS DRAWING IS RECEIVED IN CONFIDENCE AND ITS CONTENTS MAY NOT BE DISCLOSED WITHOUT THE PRIOR WRITTEN CONSENT OF QUATROSENSE ENVIRONMENTAL LTD.

REVISIONS						
REV	ECO	DESCRIPTION	DATE	DRN	CHK	APVD
B	---	DWG. No ID-Q101-006	91-04-03	A.P.		
C	065	NEW RELEASE	95-10-18	M.S.		BC
D	097	UPDATE SPEC/ TITLE/ DIM.	96-10-25	M.S.		
E	121	CHANGE TEMP. TO INDUSTRIAL	96-11-27	YD	B.C.	R.O.
F	389	UPDATE	01-01-31	YD	B.C.	B.C.
G	676	UPDATE TITLE BLOCK	05-01-18	DH	CG	DH
H	974	REMOVE NIPPLE/NUT/WASHER	06-12-20	XY	CG	XY



DRN	M. SIROIS	95-10-16	QUATROSENSE ENVIRONMENTAL LTD.			
CHK	B. CURRIE	95-10-18	RICHMOND, ONTARIO, CANADA			
DSGN	----	----	<p style="text-align: center;">QAS-101 SINGLE POINT MONITOR</p>			
APVD	----	----				
Q.A.	----	----				
APPLICATION	----	----				
DIMENSIONS ARE IN INCHES. DIMENSIONS IN PARENTHESIS ARE IN MILLIMETERS AND SHOWN FOR REFERENCE ONLY			SIZE B	TYPE ID	DWG NO 21050-001-000	REV H
			SCALE	FILENAME	SHEET 1 OF 2	

THIS DRAWING CONTAINS INFORMATION WHICH IS THE PROPRIETARY PROPERTY OF QUATROSENSE ENVIRONMENTAL LTD. THIS DRAWING IS RECEIVED IN CONFIDENCE AND ITS CONTENTS MAY NOT BE DISCLOSED WITHOUT THE PRIOR WRITTEN CONSENT OF QUATROSENSE ENVIRONMENTAL LTD.

REVISIONS						
REV	ECO	DESCRIPTION	DATE	DRN	CHK	APVD
ALL	---	SEE SHEET ONE				

SPECIFICATIONS:

POWER SUPPLY

120 VAC, +10%-15%, 50 to 60 Hz
8 Watts

RELAYS

240 VAC/30 VDC
10 Amps Res./7.5 Amps Ind.

ALARM SETTINGS (STANDARD)

Low Setpoint: 50 PPM CO in vehicle exhaust
High Setpoint: 100 PPM CO in vehicle exhaust

Low Setpoint: 10% LEL Combustibles
High Setpoint: 20% LEL Combustibles

Low Setpoint: 35 PPM NH₃
High Setpoint: 300 PPM NH₃

Low Setpoint: 500 PPM Freon R-11
High Setpoint: 1000 PPM Freon R-11

Low Setpoint: 500 PPM Freon R-12
High Setpoint: 1000 PPM Freon R-12

Low Setpoint: 500 PPM Freon R-22
High Setpoint: 1000 PPM Freon R22

Low Setpoint: 500 PPM Freon R-134a
High Setpoint: 1000 PPM Freon R-134a

SENSOR

Solid State Sensor

ENVIRONMENT

Temperature: -4°F to 104°F (-20°C to 40°C)
Humidity: 0 to 90 % Non-Condensing

TRANSMITTER/SENSOR MOUNTING

CO
4 - 6 ft (1.2 - 1.8 m) above floor.

COMBUSTIBLES (Non-Classified areas only)
1 ft (0.31 m) above floor.

METHANE (NATURAL GAS)
At ceiling height.

NH₃
At ceiling height.

R11 R12 R22 R134A
1 ft (0.31 m) above floor.

Do not mount near fans or doors where high velocity drafts occur or where clean air enters.

CABLE ENTRY

1/2" Conduit entry holes supplied from bottom

ENCLOSURE

16 Gauge steel, Grey, NEMA 1

WIRE

Connection: Terminal block,
Size: Min. 24 AWG (0.51 mm)
Size: Max. 14 AWG (1.6 mm)

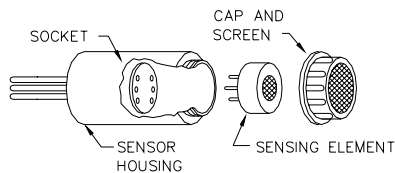
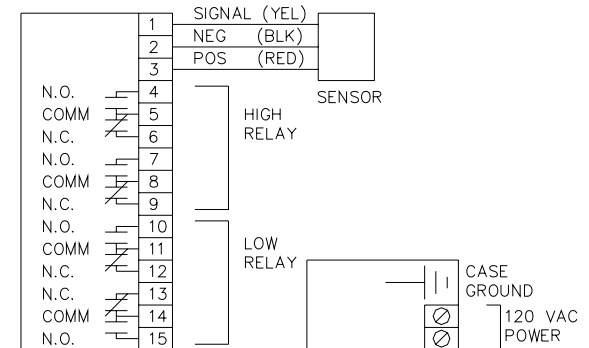
LISTING/APPROVALS

CSA, C22.2 - No. 205, UL recognized DPDT relays

PAINTING

When painting in the area, turn unit OFF,
seal sensor opening with masking tape.

WIRING CONNECTIONS



ON BOARD FUNCTION SWITCHES

- | OFF | ON | |
|-----|--------------------------|-------------------------------|
| 1 | <input type="checkbox"/> | 1. Low relay 5 minute delay |
| 2 | <input type="checkbox"/> | 2. High relay 10 minute delay |
| 3 | <input type="checkbox"/> | 3. Audio on high (fail std.) |
| 4 | <input type="checkbox"/> | 4. Fail operates low relay |
| 5 | <input type="checkbox"/> | 5. Fail operates high relay |
| 6 | <input type="checkbox"/> | 6. Buzzer disable. |

(SEE MANUAL FOR SETTINGS)

DRN	M. SIRDIS	95-10-16	QUATROSENSE ENVIRONMENTAL LTD.			
CHK	B. CURRIE	95-10-18	RICHMOND, ONTARIO, CANADA			
DSGN	----	----	QAS-101 SINGLE POINT MONITOR			
APVD	----	----				
Q.A.	----	----				
APPLICATION			SIZE	TYPE	DWG NO	REV
-----			B	ID	21050-001-000	H
DIMENSIONS ARE IN INCHES. DIMENSIONS IN PARENTHESIS ARE IN MILLIMETERS AND SHOWN FOR REFERENCE ONLY			SCALE	FILENAME	SHEET 2 OF 2	