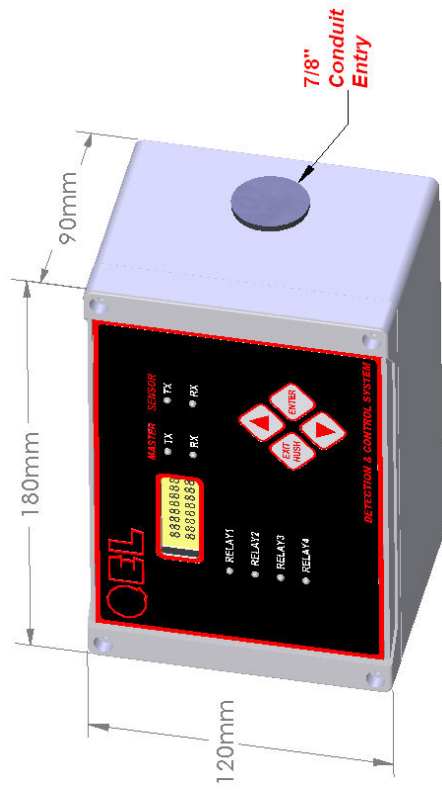
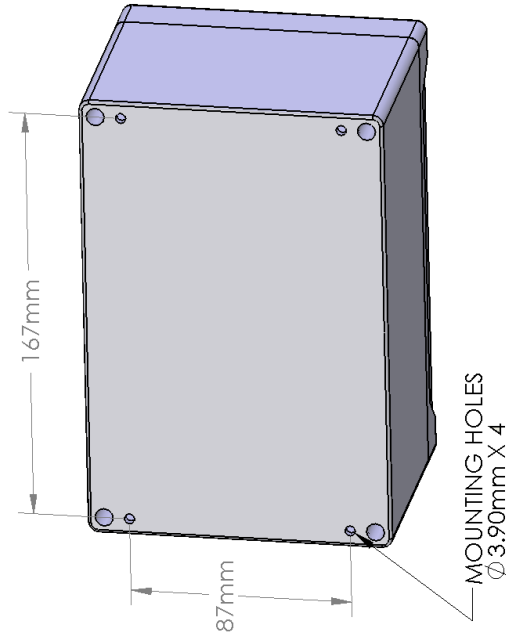


# Physical Dimensions:



# Installation Holes:



REVISIONS						
ECN	REV.	DESCRIPTION	DATE	DRAW	CHECK	APPROVED
	A	Initial Release	2007/03/16	XY	CG	XY
869	B	Add 7/8" Conduit Entry Dimension	2008/08/05	XY	CG	XY
870	C	Change Buzzer 3 PIN TB to 2 PIN TB	2008/08/21	XY	CG	XY
887	D	Add Detailed Connection for M5 & M17	2008/12/16	XY	CG	XY

## SPECIFICATION

### INPUT POWER:

24VDC nominal, range: 18 to 30VDC  
 24VAC nominal, range: 15 to 24VAC  
 AC Power must be non-grounded (Floating)

### FUSE:

F1: 4.0A Slo-Blo Bussmann P/N: S506-4-R  
 F2: 1.0A VERY FAST Littelfuse P/N: 0251001

### DISPLAY:

8 x 2 Character Display c/w Backlight

### INDICATOR:

Master RX TX, Slave RX TX, Relay 1 to Relay4 status

### KEYPAD:

4 Tactile & Audible Keypad

### BUZZER, STROBE, HORN:

24 VDC Transistor Output Terminals

### INPUTS:

max. 4 Channel Digital Sensor

### RS-232 PORT:

RJ-11 Telephone Jack on Main Board to work with M-View

### OPTION:

Relay Board: 4 x Relay 10A max. Resistive 250VAC, 30VDC  
 4-20mA Output Board: Isolated, the output is floating

RS-485 Board: Isolated, Connect to M-Controller System

### ENCLOSURE:

IP 66 & NEMA 4\* 4X\* 12 & 13

### OPERATING TEMPERATURE:

-20 °C TO 50 °C

### AMBIENT HUMIDITY:

5% TO 95% RH (NON-CONDENSING)

### STORAGE TEMPERATURE:

-40 °C TO 70 °C

### SIZE:

180mm X 120mm X 90mm

### WEIGHT:

LESS THAN 1.5lbs ( 0.680 kg)

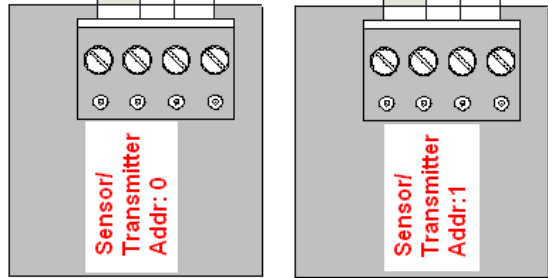
UNLESS OTHERWISE SPECIFIED:		NAME	DATE	Quatrosense Environmental Ltd	
DIMENSIONS ARE IN INCHES		DRAWN	2007/03/16	TITLE:	
TOLERANCES:		CHECKED	2007/03/16	Q4 Controller	
FRACTIONS: 1/2		ENG APPR.	2007/06/16	INSTALLATION DRAWING	
ANGULAR: ±		MFG APPR.		SIZE DWG. NO.	
MACH: ±.5 DECIMALS BEND ±		Q. A.		REV	
TWO PLACE DECIMAL ±.02		COMMENTS:		B 85350-002-000 D	
THREE PLACE DECIMAL ±.010		MATERIAL		SCALE: 1:2 WEIGHT:	
INTERPRET GEOMETRIC TOLERANCING PER:		FINISH		SHEET 1 OF 8	
NEXT ASSY		USED ON			
APPLICATION		DO NOT SCALE DRAWING			

**PROPRIETARY AND CONFIDENTIAL**  
 THE INFORMATION CONTAINED IN THIS DRAWING IS THE SOLE PROPERTY OF QUATROSENSE ENVIRONMENTAL LTD. ANY REPRODUCTION IN PART OR AS A WHOLE WITHOUT THE WRITTEN PERMISSION OF QUATROSENSE ENVIRONMENTAL LTD. IS PROHIBITED.

# Connection:

TO OTHER DIGITAL SENSORS

Note: All stubs should be kept as short as possible. (max. 5 inch)



Valid Address: 0 - 3

TO OTHER DIGITAL SENSORS

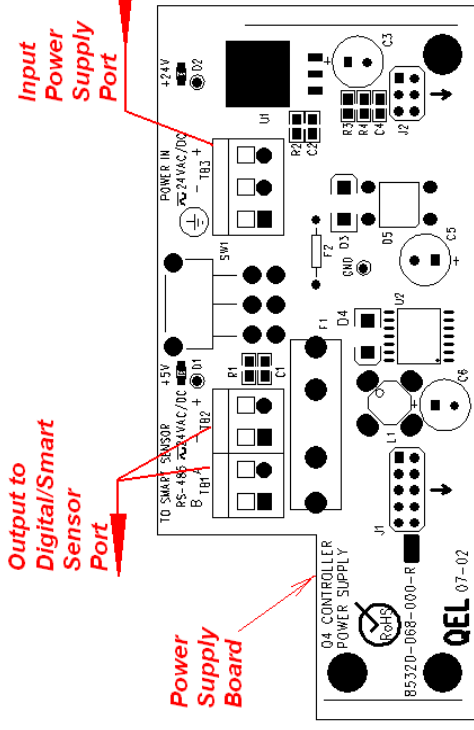
# Power Supply:

Q4 Controller operates on 24V AC 50/60HZ or 24VDC. There are no selections required by the user to select the input power. The input power is connected to the Power Supply Board using the Terminal Block TB3 located inside the unit.

**NOTE: the Q4 Controller does NOT convert an AC voltage input to a DC voltage output for the digital/smart sensors.**  
 24 VDC Input => 24 VDC Output on the Digital/Smart Sensor Port  
 24 VAC Input => 24 VAC Output on the Digital/Smart Sensor Port

**NOTE: AC Power must be non-grounded (floating).**

# Power Supply Board Connection:



REVISIONS		DATE	APPROVED
ZONE	REV.		
-	-		
DESCRIPTION			
See Sheet1			

UNLESS OTHERWISE SPECIFIED:		NAME	DATE
DIMENSIONS ARE IN INCHES		XY	2007-03-16
TOLERANCES:		XY	2007-03-16
FRACTIONAL: ±		XY	2007-03-16
ANGULAR: MACH: ±		XY	2007-03-16
HOLE: ±		XY	2007-03-16
THREE PLACE DECIMAL: ±		XY	2007-03-16
G. A.			
INTERPRET GEOMETRIC TOLERANCING PER:			
MATERIAL:			
FINISH:			
NEXT ASSY:			
APPLICATION:			
DO NOT SCALE DRAWING			

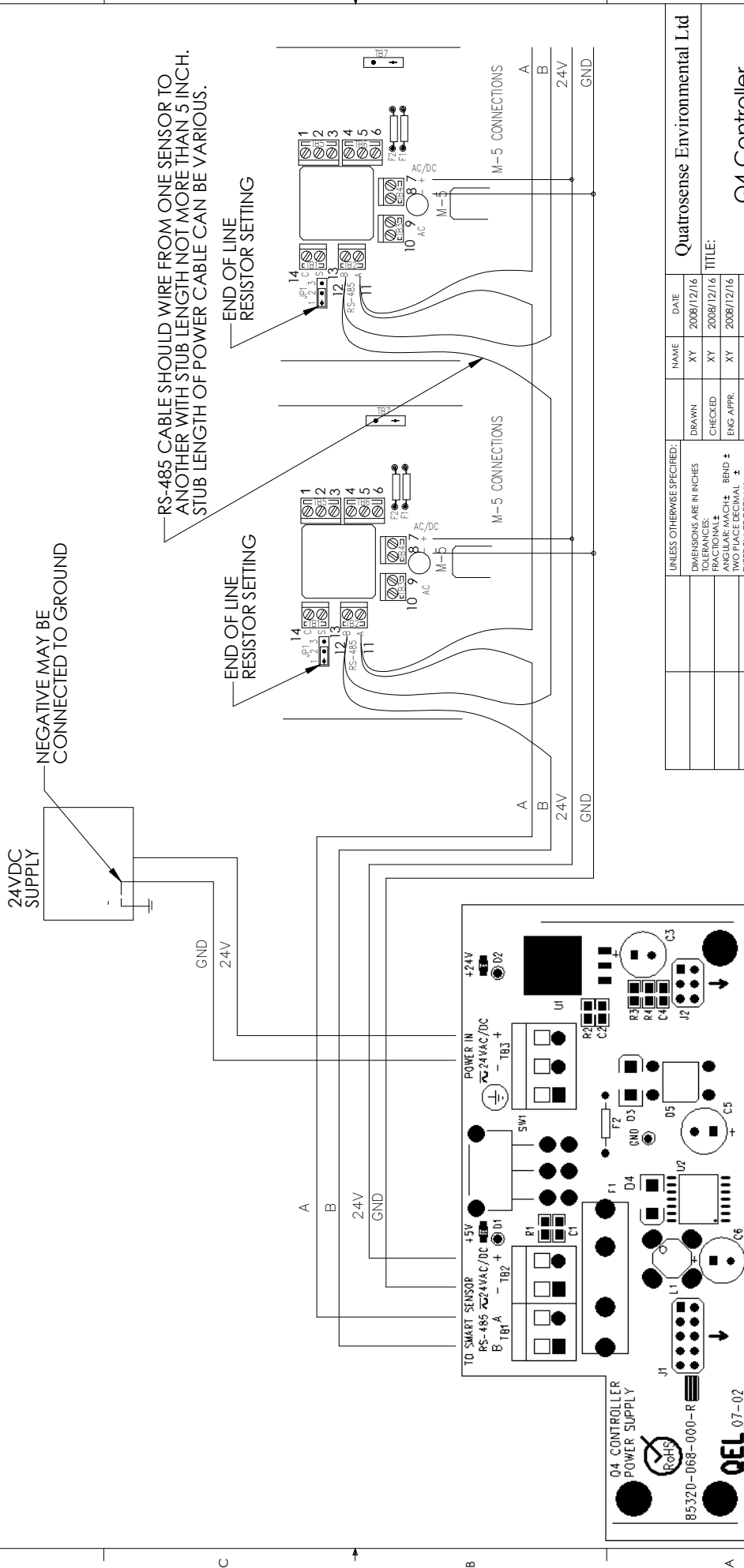
  

Quattrosense Environmental Ltd	
TITLE: Q4 Controller	
INSTALLATION DRAWING	
SIZE	REV
B	D
DWG. NO. 85350-002-000	
SCALE: 1:2	SHEET 2 OF 8

**PROPRIETARY AND CONFIDENTIAL**  
 THE INFORMATION CONTAINED IN THIS DRAWING IS THE SOLE PROPERTY OF QUATTROSENSE ENVIRONMENTAL LTD. ANY REPRODUCTION IN PART OR AS A WHOLE WITHOUT THE WRITTEN PERMISSION OF QUATTROSENSE ENVIRONMENTAL LTD IS PROHIBITED.



# 24VDC Power Supply Q4C and M5 Connection:



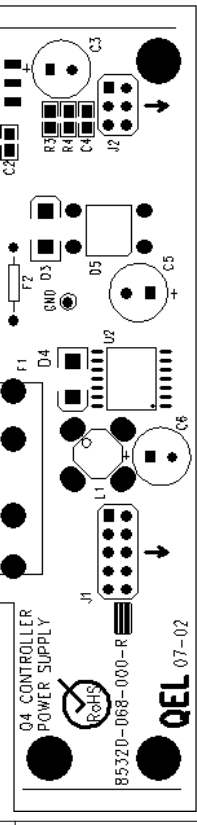
REVISIONS		DATE	APPROVED
ZONE	REV.	DESCRIPTION	See Sheet 1
-	-	-	-

UNLESS OTHERWISE SPECIFIED:		NAME	DATE
DIMENSIONS ARE IN INCHES	DRAWN	XY	2008/12/16
TOLERANCES:	CHECKED	XY	2008/12/16
FRACTIONAL: ±	ENG APPR.	XY	2008/12/16
ANGULAR: MACH: ±	MFG APPR.		
BEND: ±	G.A.	XY	2008/12/16
THREE PLACE DECIMAL: ±	COMMENTS:		
INTERPRET GEOMETRIC TOLERANCING PER:			
MATERIAL:			
FINISH:			
USED ON:			
APPLICATION:			

**PROPRIETARY AND CONFIDENTIAL**  
 THE INFORMATION CONTAINED IN THIS DRAWING IS THE PROPERTY OF QUATROSENSE ENVIRONMENTAL LTD. ANY REPRODUCTION IN PART OR AS A WHOLE WITHOUT THE WRITTEN PERMISSION OF QUATROSENSE ENVIRONMENTAL LTD. IS PROHIBITED.

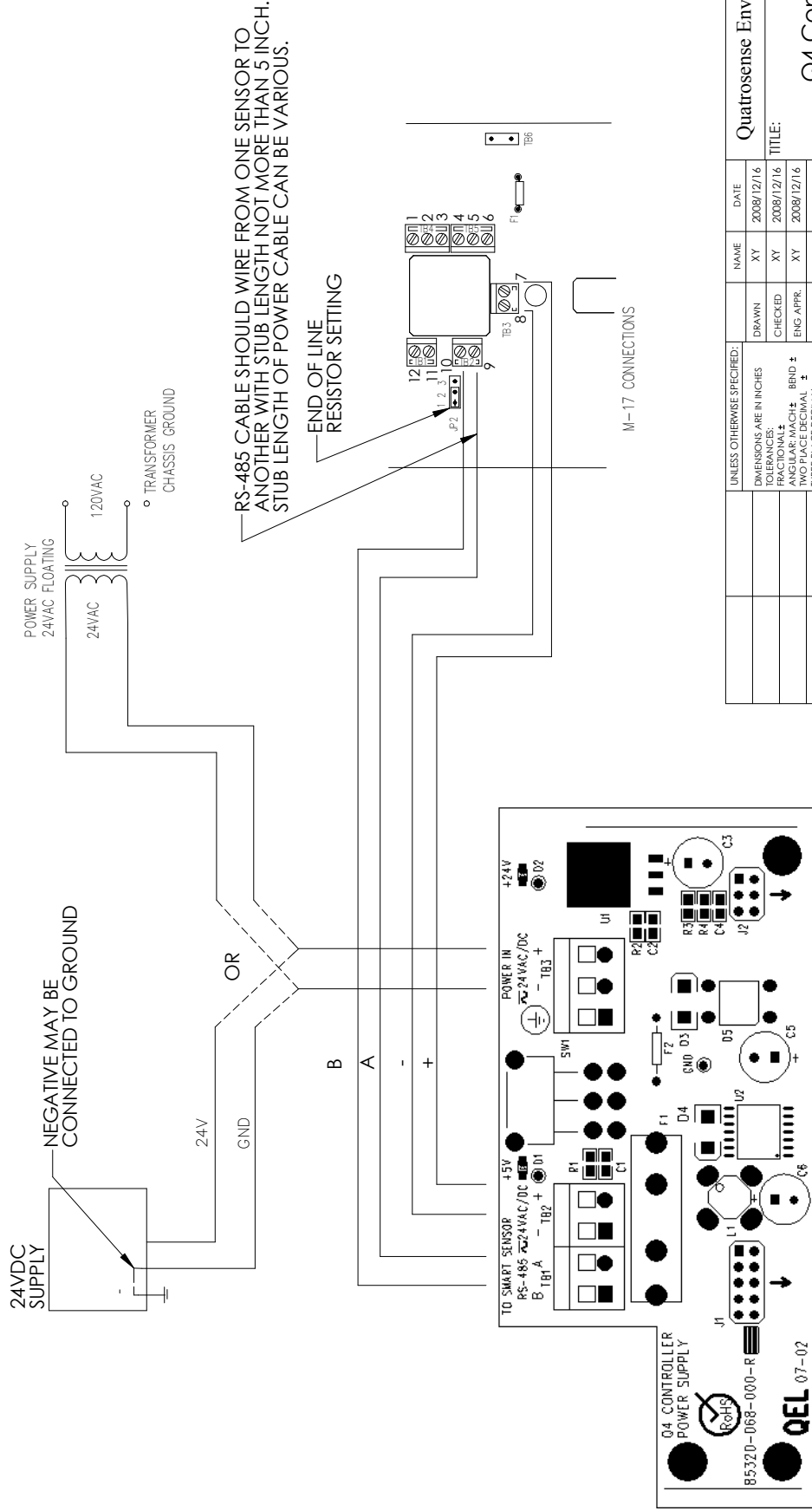
Quatrosense Environmental Ltd	
TITLE: Q4 Controller INSTALLATION DRAWING	
SIZE DWG. NO.	REV
B 85350-002-000	D
SCALE: 1:4	SHEET 4 OF 8

## Q4-CONTROLLER



# 24VDC or 24VAC Power Supply Q4C and M17 Connection:

REVISIONS				
ZONE	REV.	DESCRIPTION	DATE	APPROVED
-	-	See Sheet 1	-	-



RS-485 CABLE SHOULD WIRE FROM ONE SENSOR TO ANOTHER WITH STUB LENGTH NOT MORE THAN 5 INCH. STUB LENGTH OF POWER CABLE CAN BE VARIOUS.

END OF LINE RESISTOR SETTING

M-17 CONNECTIONS

UNLESS OTHERWISE SPECIFIED:		NAME	DATE
DRAWN	XY	XY	2008/12/16
CHECKED	XY	XY	2008/12/16
ENG APPR.	XY	XY	2008/12/16
MFG APPR.			
Q. A.	XY	XY	2008/12/16

QUATROSENSE ENVIRONMENTAL LTD

TITLE: Q4 Controller INSTALLATION DRAWING

SIZE DWG. NO. B 85350-002-000 REV D

SCALE: 1:4 SHEET 5 OF 8

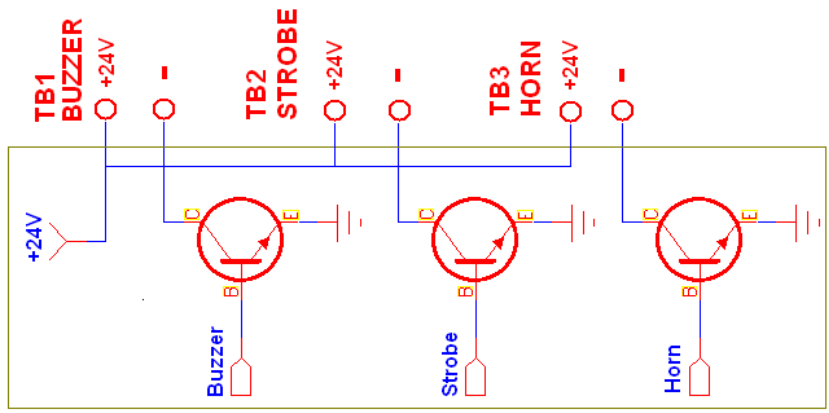
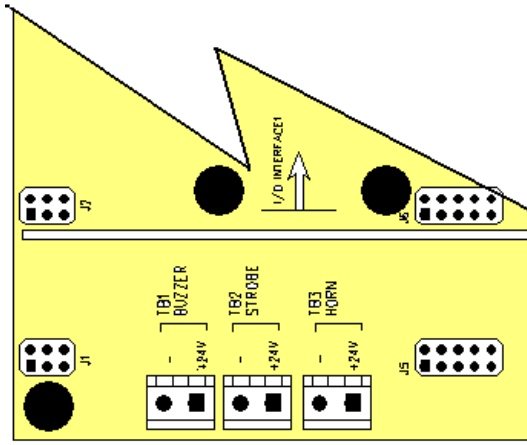
PROPRIETARY AND CONFIDENTIAL  
THE INFORMATION CONTAINED IN THIS DRAWING IS THE PROPERTY OF QUATROSENSE ENVIRONMENTAL LTD. NO REPRODUCTION IN PART OR AS A WHOLE WITHOUT THE WRITTEN PERMISSION OF QUATROSENSE ENVIRONMENTAL LTD. IS PERMITTED.

## Q4-CONTROLLER

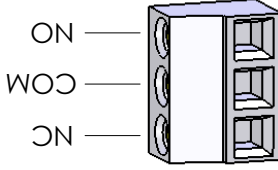
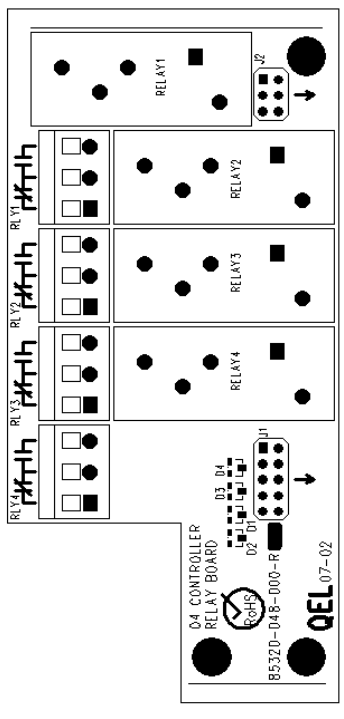
Q4 CONTROLLER POWER SUPPLY  
85350D-068-000-R  
QEL 07-02



# Buzzer, Strobe and Horn Connection: I/O Motherboard



# Relay Board (Option):



NC: Normally Closed  
COM: Common  
NO: Normally Open

Relay1-4:  
10.0 A maximum resistive 250VAC, 30 VDC  
7.5 A maximum inductive 240VAC  
5.0 A maximum inductive 30 VDC

### Tips:

You might drill an additional access hole to bring the wires into the NEMA 4X enclosure. The access hole should be drilled on the side of the enclosure.

### Warning:

Be sure to look inside the unit prior to drilling so that to make sure there is sufficient clearance for the hole and fitting that you are using.  
Seal conduit to prevent foreign material from entering the enclosure.

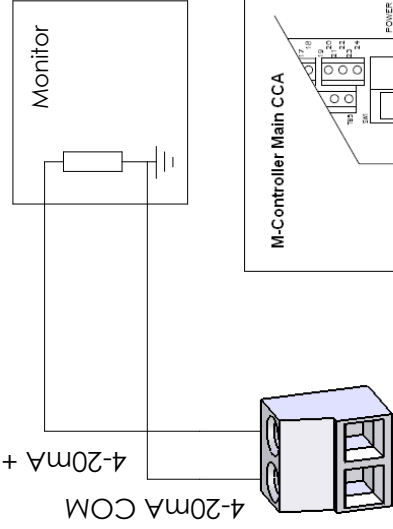
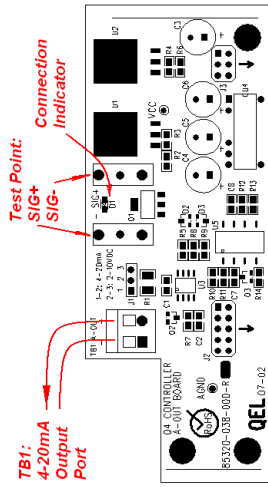
REVISIONS		
ZONE	REV.	DESCRIPTION
-	-	See Sheet 1
		DATE
		-
		APPROVED
		-

UNLESS OTHERWISE SPECIFIED:		NAME	DATE
DIMENSIONS ARE IN INCHES		XY	2007-03-16
TOLERANCES:		XY	2007-03-16
FRACTIONAL: ±		ENG APPR.	XY
ANGULAR: MACH: ±		Q. A.	
HOLE POSITION: ±		COMMENTS:	
THREE PLACE DECIMAL ±			
INTERPRET GEOMETRIC TOLERANCING PER:			
MATERIAL:			
FINISH:			
USED ON:			
APPLICATION:			
DO NOT SCALE DRAWING			

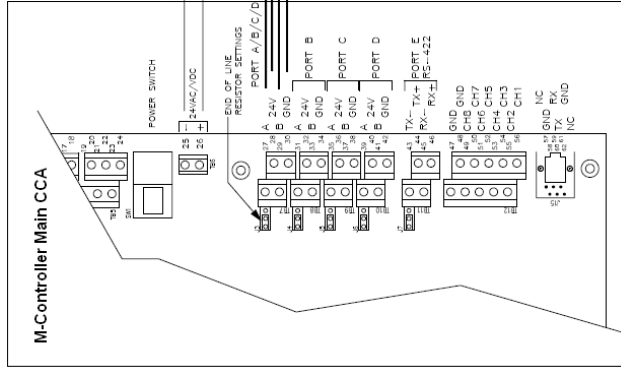
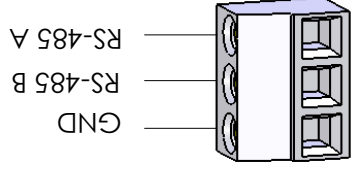
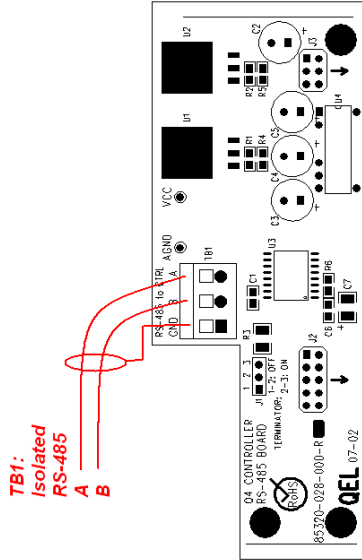
  

Quatrosense Environmental Ltd	
TITLE: Q4 Controller	
INSTALLATION DRAWING	
SIZE	REV
B	D
DWG. NO. 85350-002-000	
SCALE: 2:1	SHEET 7 OF 8

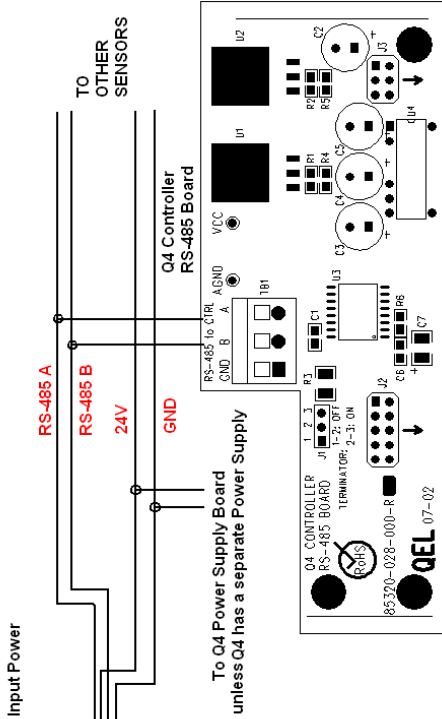
# Isolated 4-20mA Output Board (Option):



# Isolated RS-485 Board (Option):



RS-485 Terminator  
Jumper Position:  
J1 1-2: Disabled/OFF  
J1 2-3: Enabled/ON



To Q4 Power Supply Board  
unless Q4 has a separate Power Supply

REVISIONS		DATE	APPROVED
ZONE	REV.	DESCRIPTION	See Sheet 1
-	-	-	-

UNLESS OTHERWISE SPECIFIED:		NAME	DATE
DIMENSIONS ARE IN INCHES		XY	2007-03-16
TOLERANCES:		XY	2007-03-16
FRACTIONAL: ±		ENG APPR.	XY 2007-03-16
ANGULAR: MACH: ±		Q. A.	
DECIMAL: ±		COMMENTS:	
THREE PLACE DECIMAL ±			
INTERPRET GEOMETRIC TOLERANCING PER:			
MATERIAL:			
FINISH:			
USED ON:			
APPLICATION:			
DO NOT SCALE DRAWING			

**PROPRIETARY AND CONFIDENTIAL**  
THE INFORMATION CONTAINED IN THIS DRAWING IS THE SOLE PROPERTY OF QUATTROSENSE ENVIRONMENTAL LTD. ANY REPRODUCTION IN PART OR AS A WHOLE WITHOUT THE WRITTEN PERMISSION OF QUATTROSENSE ENVIRONMENTAL LTD IS PROHIBITED.

Quattrosense Environmental Ltd		REV	D
TITLE:		SIZE	DWG. NO.
Q4 Controller		B	85350-002-000
INSTALLATION DRAWING		SCALE:	4:1
		SHEET	8 OF 8