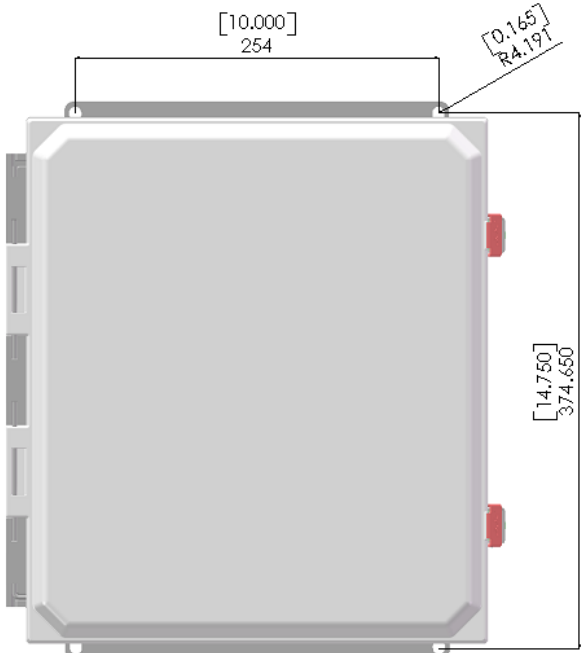
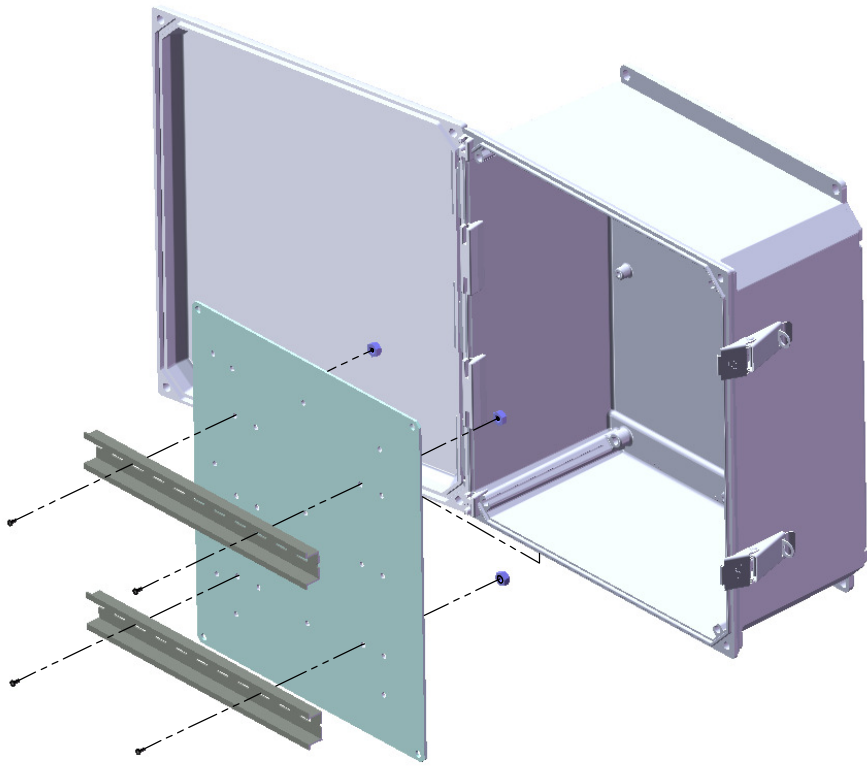


8 7 6 5 4 3 2 1



REVISIONS				
ECN	REV.	DESCRIPTION	DATE	APPROVED
1061	A	FIRST RELEASE	2015/05/07	XY



**Available Devices to be installed to the IO-Box:**

- AI-Box: 8 Channel 4-20mA Input to RS-485 signal
- AO-Box: 8 Channel 4-20mA Output from RS-485 signal
- BI-Box: 4 Channel Switch Input to RS-485 signal
- BO-Box: 4 Channel Relay Output from RS-485 signal
- SKU#: 6500-0025 : 24VDC 1.25A POWER SUPPLY DIN Rail
- SKU#: 6500-0026 : 24VDC 5.0A POWER SUPPLY DIN Rail
- SKU#: 6500-0027 : 24VDC 10A POWER SUPPLY DIN Rail

**PROPRIETARY AND CONFIDENTIAL**  
 THE INFORMATION CONTAINED IN THIS DRAWING IS THE SOLE PROPERTY OF QUATROSENSE ENVIRONMENTAL LTD. ANY REPRODUCTION IN PART OR AS A WHOLE WITHOUT THE WRITTEN PERMISSION OF QUATROSENSE ENVIRONMENTAL LTD IS PROHIBITED.

		UNLESS OTHERWISE SPECIFIED:		NAME	DATE	QUATROSENSE ENVIRONMENTAL LTD.	
		DIMENSIONS ARE IN INCHES		DRAWN	XY	15-02-09	
		TOLERANCES:		CHECKED		TITLE:	
		FRACTIONAL ±		ENG APPR.		IO-BOX	
		ANGULAR: MACH ± BEND ±		MFG APPR.		Installation Drawing	
		TWO PLACE DECIMAL ±		Q.A.		SIZE DWG. NO. REV	
		THREE PLACE DECIMAL ±		COMMENTS:		B 86550-008-000 A	
		INTERPRET GEOMETRIC TOLERANCING PER:				SCALE: 1:8 WEIGHT: SHEET 1 OF 1	
		MATERIAL					
NEXT ASSY		USED ON					
APPLICATION		FINISH					
		DO NOT SCALE DRAWING					

8 7 6 5 4 3 2 1