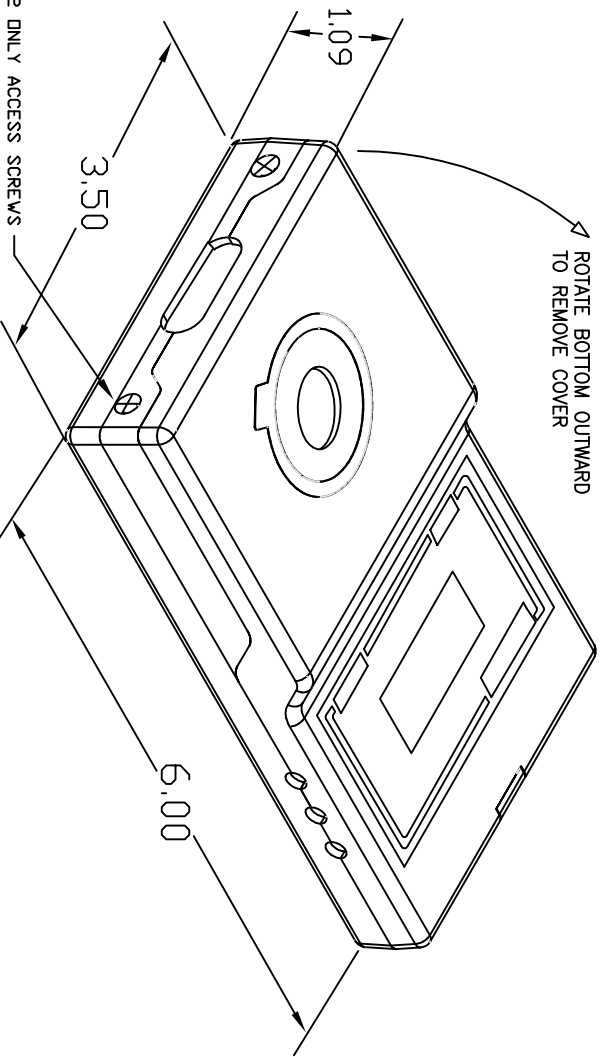
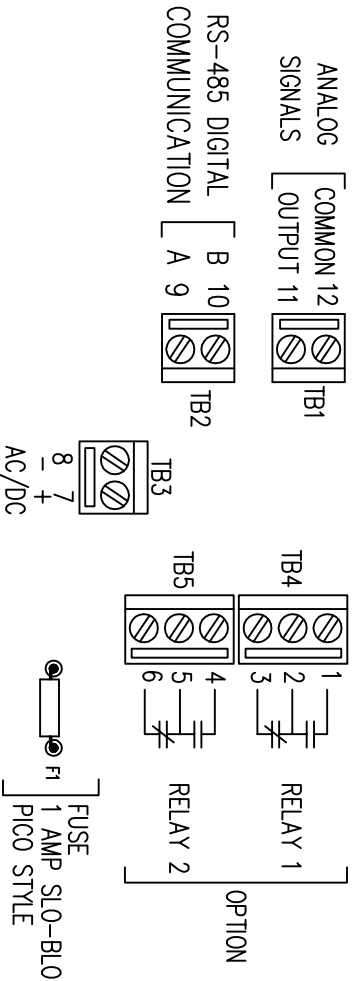


REV		ECCD		DESCRIPTION		DATE		DRN	CHK	APVD
A	687	FIRST RELEASE		05-02-11	DH	CG	DH			
B	1029	CHANGE TO 3.4"		13-08-09	XY	XY	XY			

ROTATE BOTTOM OUTWARD TO REMOVE COVER



WIRING CONNECTIONS:



SPECIFICATIONS:

POWER SUPPLY

24 VAC or 24 VDC (Nominal)
 Less than 100 millamps operating
 Allow 250 millamps turn-on surge
 Range: DC: 18 to 30 VDC
 AC: 18 to 30 VAC

SIGNAL OUTPUT

4-20 mA linear
 OR
 2-10 VDC linear

OPERATING RANGE

0-100% LEL (Display)
 Fully Adjustable Signal Assignment of 4-20 mA (2-10VDC)

SENSOR

Catalytic

GAS TYPE

Butane, Ethanol, Methane, Propane
 Genl LEL (General LEL -> Other Combustibles)

MOUNTING HEIGHT

Methane = 1 Ft (0.3m) From Ceiling
 Butane, Ethanol, Propane = 1 Ft (0.3m) From Floor
 Genl LEL = Mount according to requirement for gas

ENVIRONMENT

Temperature: -4°F to 104°F (-20°C to 40°C)
 Humidity: 0 to 99 % Non-Condensing

SENSOR/TRANSMITTER MOUNTING

Wall Mounting
 Mount holes fit standard Switch Box
 CABLE ENTRY
 From back of enclosure 94 V-0

ENCLOSURE

ABS Plastic Fire Retardant 94 V-0

WIRE

Connectors: Terminal blocks, screw type for lead wire.

Size: Min. 26 AWG (0.40mm)
 Max. 16 AWG (1.3 mm)

ALARM OPTION

Relays (2) 1 Amp SPDT Buzzer

DRN Y/D/BE	03-03-13	QUATROSENSE ENVIRONMENTAL LTD			
CHK		RICHMOND, ONTARIO, CANADA			
DSGN RC/CH	04-10-07	M-17			
APVD		COMBUSTIBLE DUCT MOUNT			
QA		INSTALLATION DRAWING			
APPLICATION		SIZE	TYPE	DWG NO	REV
		B	ID	84450-003-000	B
FINISH		SCALE	FILE	SHEET 1 OF 5	

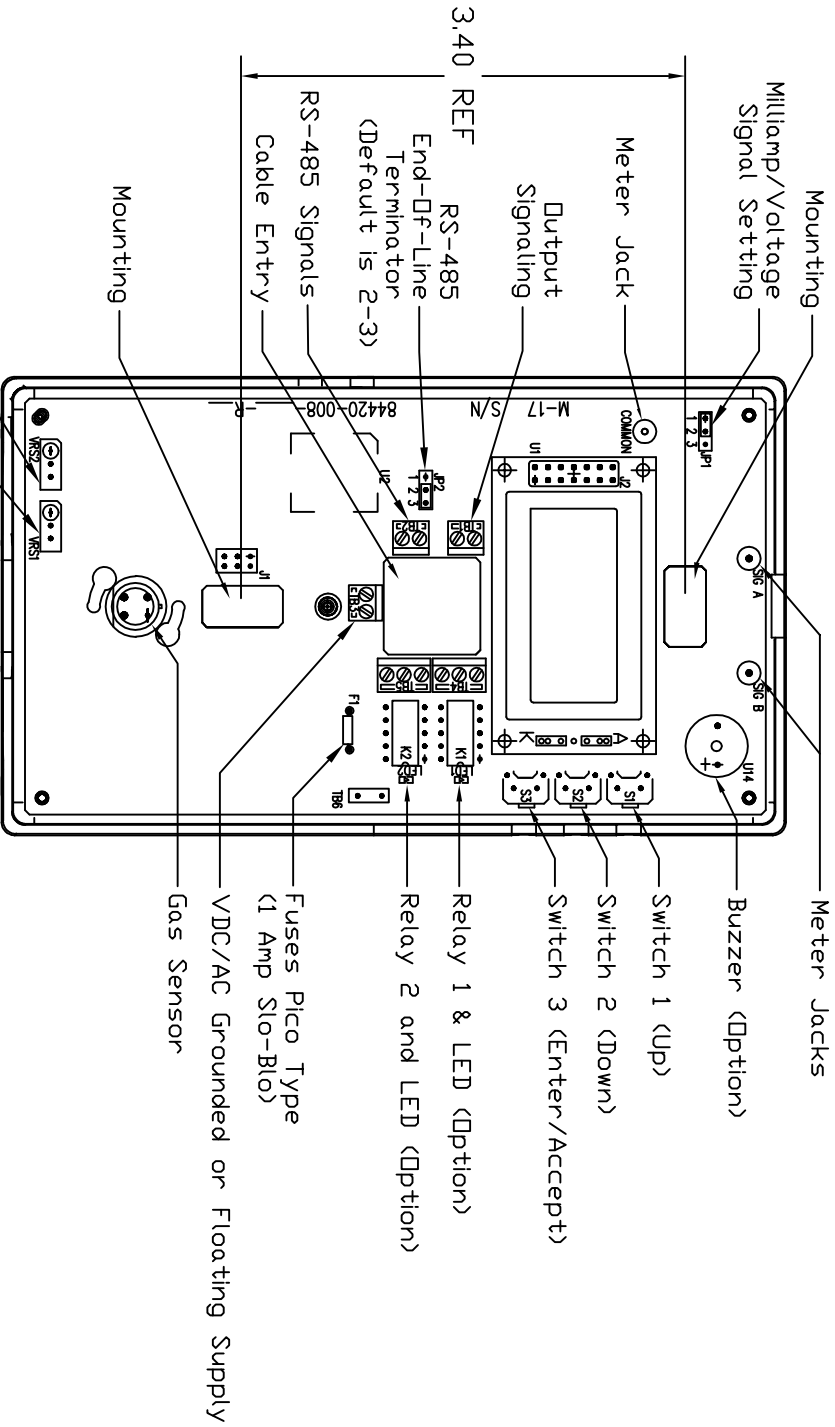
4

3

2

1

REVISIONS				
REV	ECD	DESCRIPTION	DATE	DRN CHK APVD
ALL	---	SEE SHEET ONE		



Span Adjustment
 Potentiometer
 Zero Adjustment
 Potentiometer

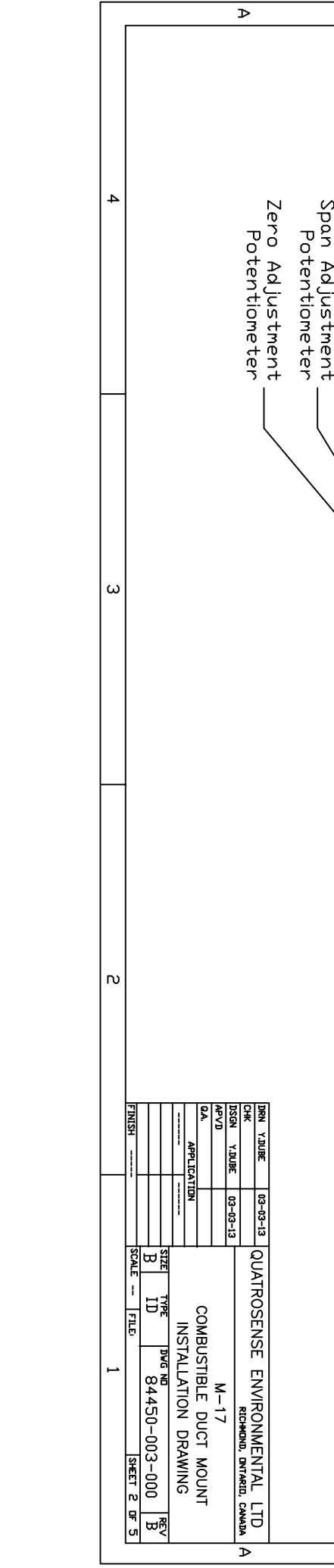
DRN YJUBE	03-03-13	QUATROSENSE ENVIRONMENTAL LTD		
CHK		RICHMOND, ONTARIO, CANADA		
DSGN YJUBE	03-03-13	M-17		
APPVD		COMBUSTIBLE DUCT MOUNT		
QA		INSTALLATION DRAWING		
APPLICATION		SIZE	TYPE	DWG NO
		B	ID	84450-003-000
FINISH		SCALE	FILE	SHEET 2 OF 5

4

3

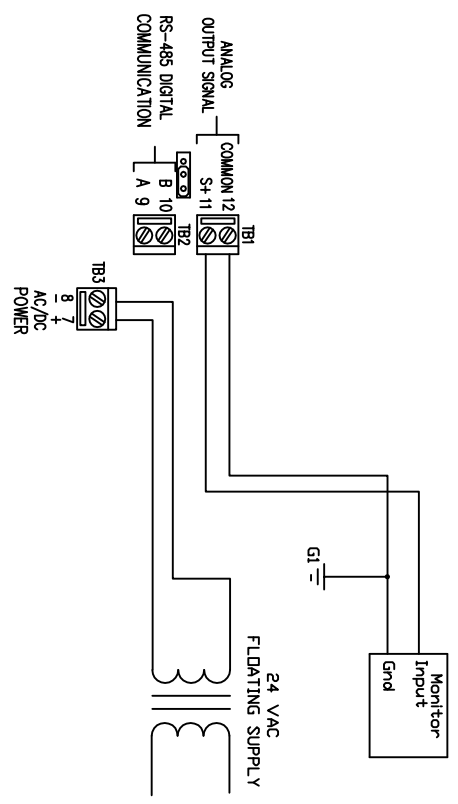
2

1

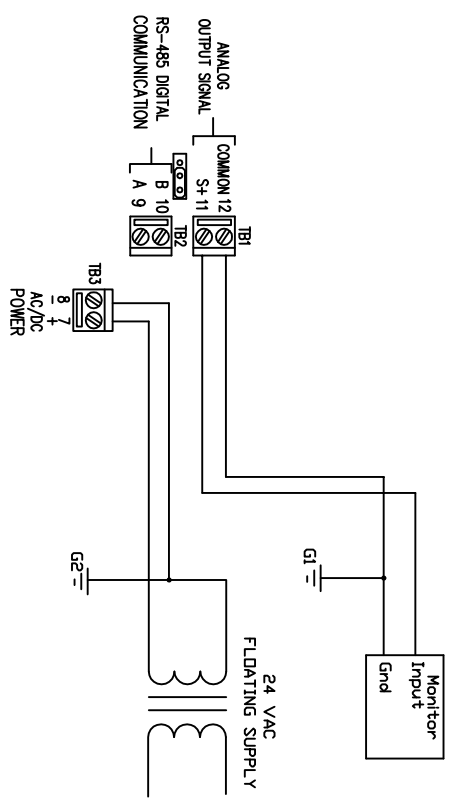


REV		ECD		DESCRIPTION		DATE		DRN		CHK		APVD	
ALL	---	---	---	SEE SHEET ONE	---	---	---	---	---	---	---	---	---

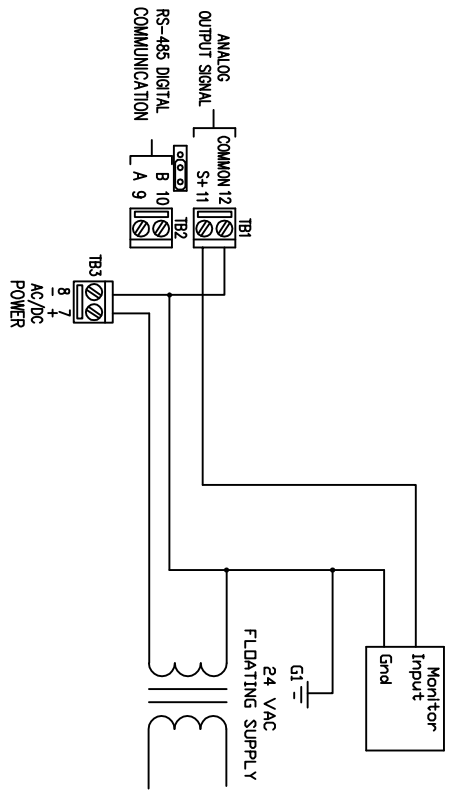
REVISIONS



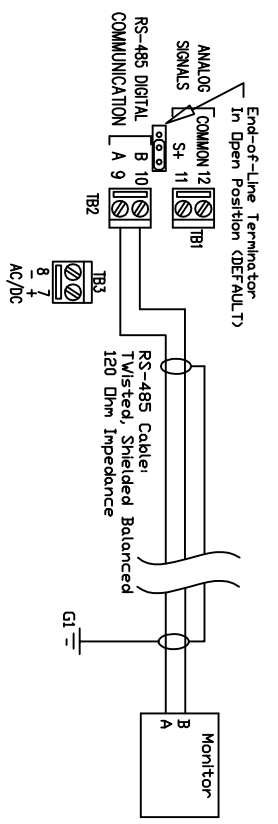
24VAC Floating Supply with 4-Wire Installation



24VAC Floating Supply with Separate Grounds



24VAC Supply with Common Ground



RS-485 Terminations (TB2 and JP2)

DRN	YJUBE/JH	04-10-07	QUATROSENSE ENVIRONMENTAL LTD									
CHK	DH	04-10-07	RICHMOND, BRITAIN, CANADA									
DSGN	DH	04-10-07	M-17 COMBUSTIBLE DUCT MOUNT INSTALLATION DRAWING									
APPVD												
QA												
APPLICATION												
SIZE	B	ID	DWG NO	84450-003-000	REV	B						
SCALE	---	FILE	SHEET	3	OF	5						

4

4

3

2

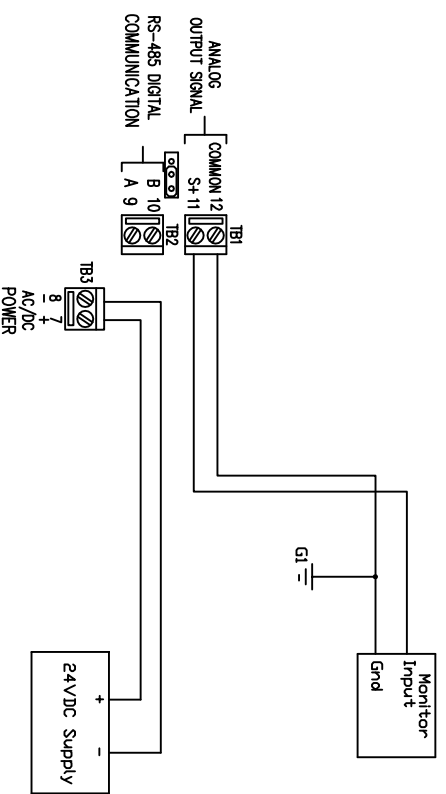
1

3

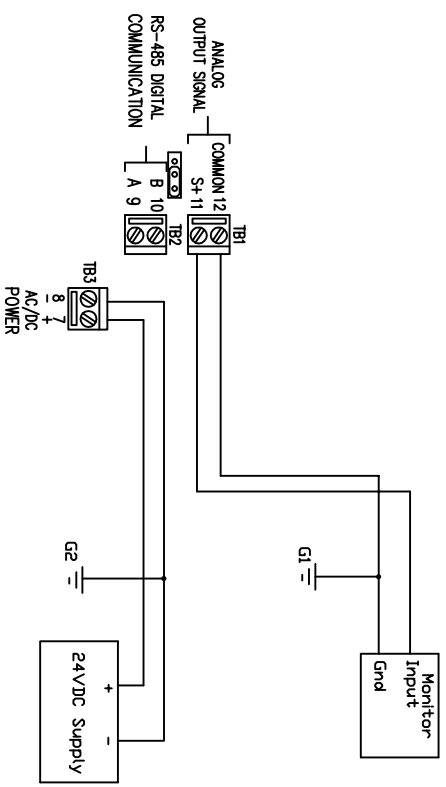
2

1

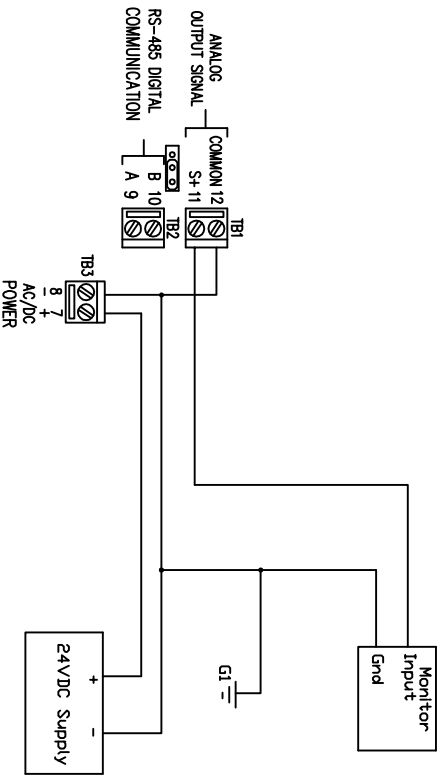
REVISIONS				
REV	ECD	DESCRIPTION	DATE	DRN
ALL	---	SEE SHEET ONE		



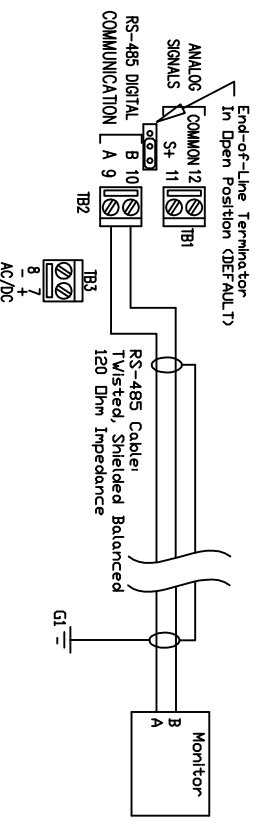
24VDC Floating Supply with 4-Wire Installation



24VDC Floating Supply with Separate Grounds



24VDC Supply with Common Ground



RS-485 Terminations (TB2 and JP2)

DRN		YJUBE/JH	04-10-07	QUATROSENSE ENVIRONMENTAL LTD	
CHK		DH	04-10-07	RICHMOND, BRITISH COLUMBIA	
DESIGN		DH	04-10-07	M-17 COMBUSTIBLE DUCT MOUNT INSTALLATION DRAWING	
APP'VD					
Q/A					
APPLICATION					
SIZE	TYPE	DWG NO	REV	SCALE --- FILE SHEET 4 OF 5	
B	ID	84450-003-000	B		
FINISH					

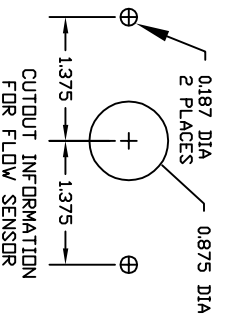
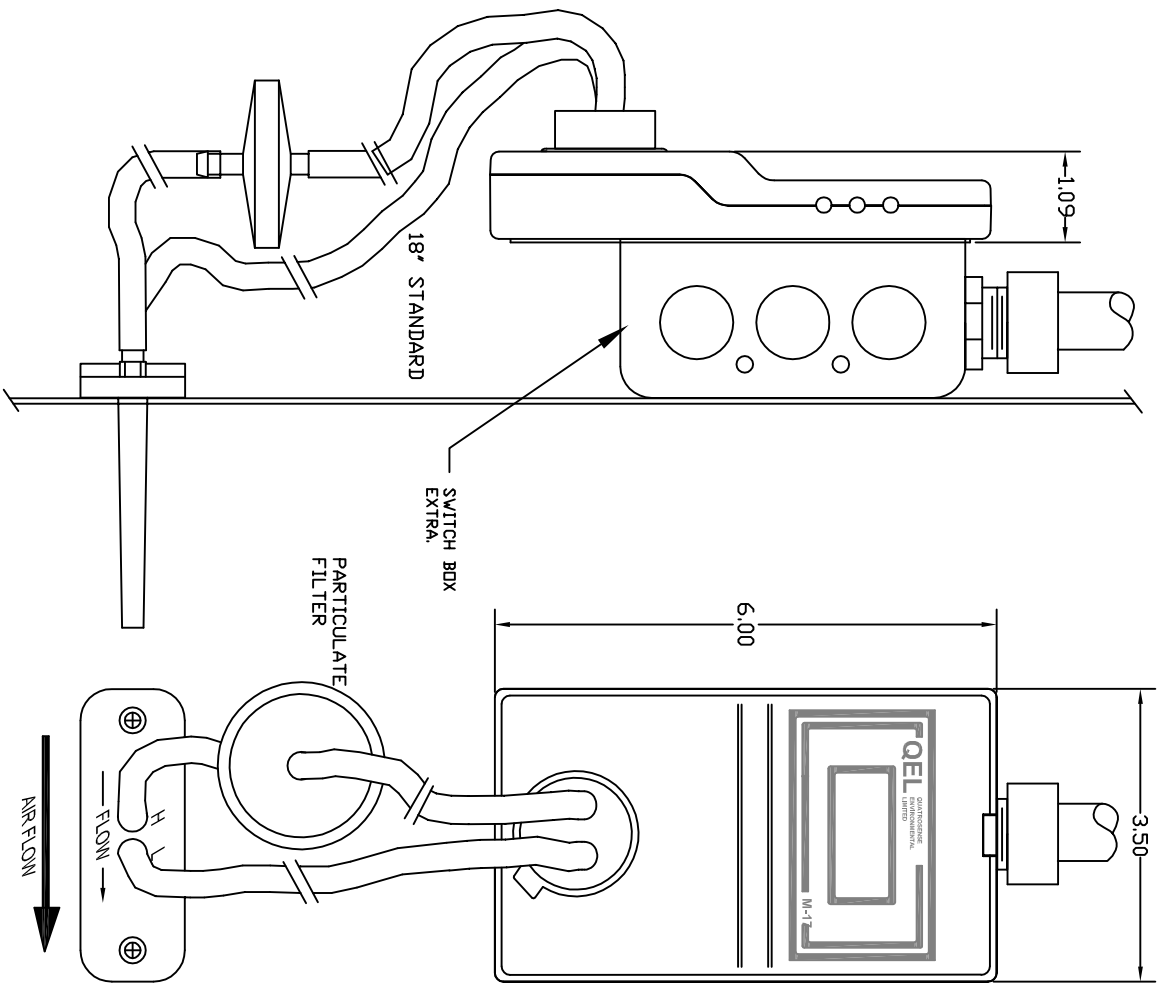
4

3

2

1

REVISIONS			
REV	ECO	DESCRIPTION	DATE
ALL	---	SEE SHEET ONE	



NOTE: GAS SAMPLING OCCURS WHEN AIR FLOW ACROSS THE TWO TUBES CAUSES DIFFERENTIAL PRESSURE. THIS METHOD WILL NOT WORK IN STATIC AIR SAMPLING.

DRN Y/D/BE	00-12-13	QUATROSENSE ENVIRONMENTAL LTD
CHK		RICHMOND, ONTARIO, CANADA
DSGN Y/D/BE	00-12-13	
APVD		M-17 COMBUSTIBLE
QA		DUCT MOUNT
APPLICATION		INSTALLATION DRAWING
SIZE	B	TYPE
SCALE	1:1	DWG NO
FINISH		84450-003-000
		REV
		B
		SHEET 5 OF 5