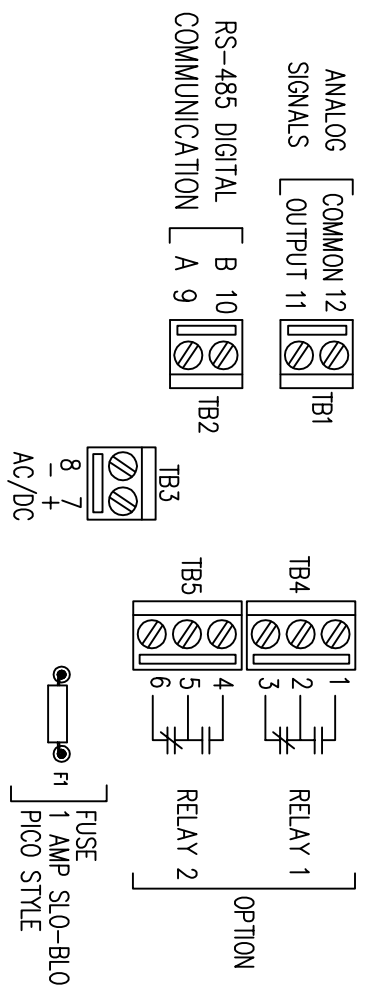


WIRING CONNECTIONS:



REV		DESCRIPTION		DATE		DRN		CHK		AP/VD	
A	---	FIRST RELEASE	YD	BC	1	BC					
B	657	UPDATE WIRING ADD PG 4	04-10-07	DH		DH					
C	715	DEFAULT FOR 2E	05-05-12	DH		DH					
D	1029	CHANGE TO 34"	13-08-09	XY		XY					

SPEC:

POWER SUPPLY
 24 VAC or 24 VDC (Nominal)
 Less than 100 millamps operating
 Allow 250 millamps turn-on surge
 Range: DC: 18 to 30 VDC
 AC: 18 to 30 VAC

SIGNAL OUTPUT
 4-20 mA linear
 OR
 2-10 VDC linear

OPERATING RANGE
 0-100% LEL (Display)
 Fully Adjustable Signal Assignment of 4-20 mA (2-10VDC)

SENSOR
 Catalytic
 GAS TYPE
 Butane, Ethanol, Methane, Propane
 Genl LEL (General LEL -> Other Combustibles)

MOUNTING HEIGHT
 Methane = 1 Ft (0.3m) From Ceiling
 Butane, Ethanol, Propane = 1 Ft (0.3m) From Floor
 Genl LEL = Mount according to requirement for gas

ENVIRONMENT
 Temperature: -4°F to 104°F (-20°C to 40°C)
 Humidity: 0 to 99 % Non-Condensing

SENSOR/TRANSMITTER MOUNTING
 Wall Mounting
 Mount holes fit standard Switch Box
 CABLE ENTRY
 From back of enclosure 94 V-0

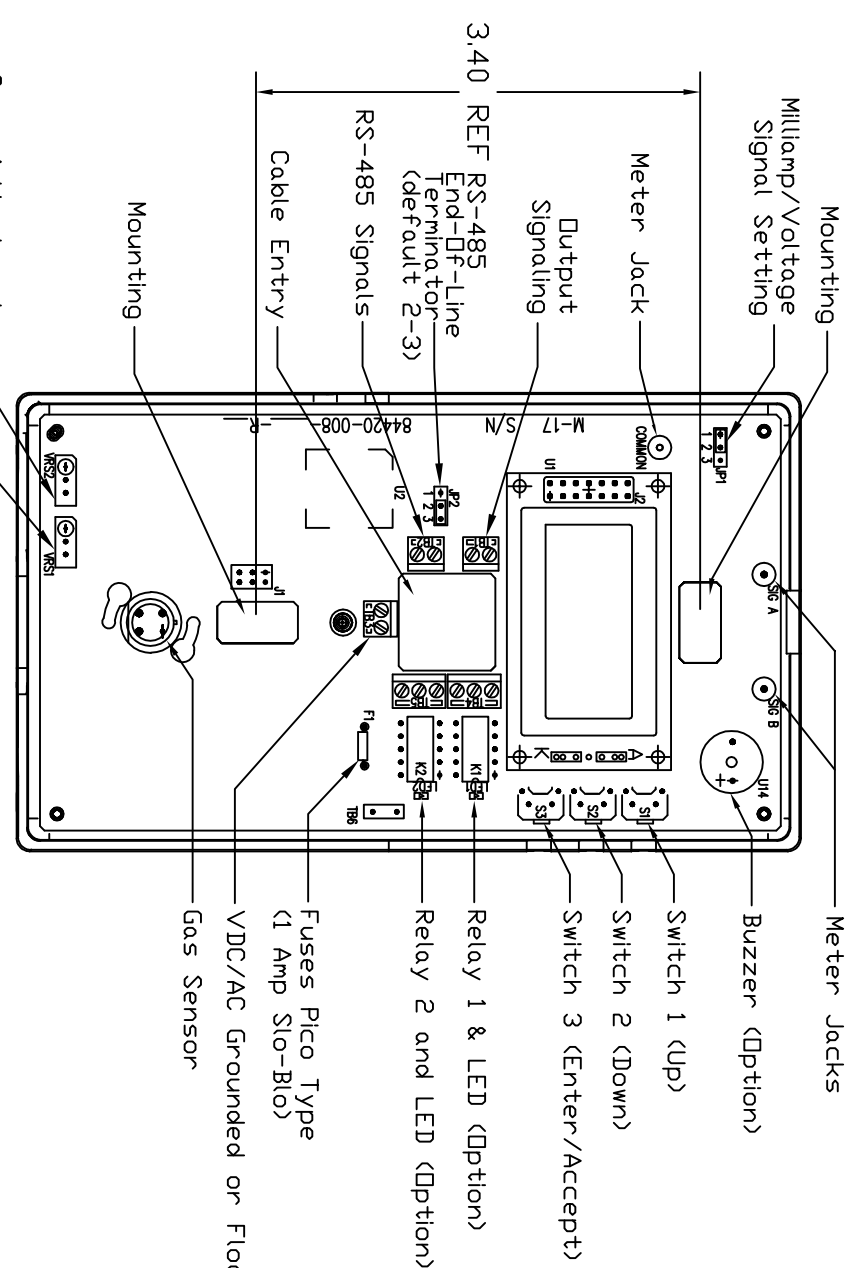
ENCLOSURE
 ABS Plastic Fire Retardant 94 V-0

WIRE
 Connectors: Terminal blocks, screw type for lead wire.
 Size: Min. 26 AWG (0.40mm)
 Max. 16 AWG (1.3 mm)

ALARM OPTION
 Relays (2) 1 Amp SPDT
 Buzzer

DRN Y/D/BE		03-03-13		QUATROSENSE ENVIRONMENTAL LTD		M-17	
CHK		DSGN	BC/CH	04-10-07	RICHMOND, ONTARIO, CANADA	COMBUSTIBLE WALL MOUNT	
AP/VD		QA	APPLICATION		INSTALLATION DRAWING		
SIZE		TYPE		DWG NO		REV	
B		ID		84450-002-000		D	
SCALE		FILE		SHEET		1 OF 4	

REVISIONS			
REV	ECD	DESCRIPTION	DATE
ALL	---	SEE SHEET ONE	



Millilamp/Voltage Signal Setting

Meter Jacks

Buzzer (Option)

Switch 1 (Up)

Switch 2 (Down)

Switch 3 (Enter/Accept)

Relay 1 & LED (Option)

Relay 2 and LED (Option)

Fuses Pico Type (1 Amp Slo-Blo)

VDC/AC Grounded or Floating Supply

Gas Sensor

Cable Entry

RS-485 Signals

End-Of-Line Terminator (default 2-3)

Meter Jack Output Signaling

Mounting

Span Adjustment Potentiometer

Zero Adjustment Potentiometer

3.40 REF RS-485

3.40 REF RS-485 End-Of-Line Terminator (default 2-3)

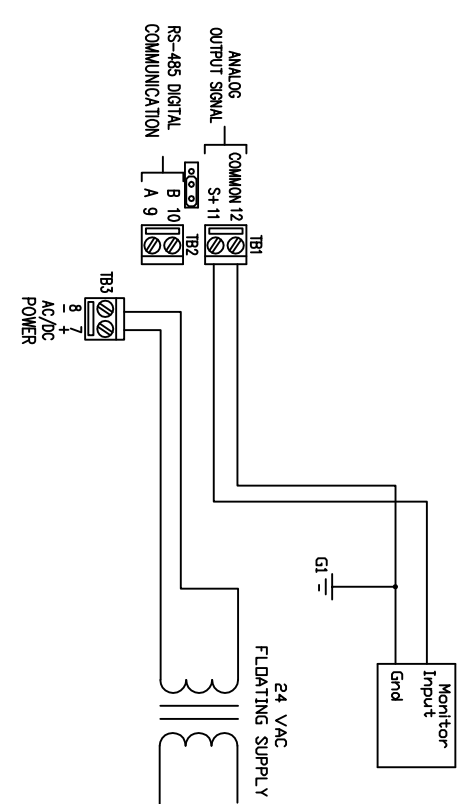
DRN YJUBE	03-03-13	QUATROSENSE ENVIRONMENTAL LTD	
CHK		RICHMOND, ONTARIO, CANADA	
DSGN YJUBE	03-03-13	M-17	
APPVD		COMBUSTIBLE WALL MOUNT	
QA		INSTALLATION DRAWING	
APPLICATION		SIZE	TYPE
		B	ID
		SCALE	FILE
			SHEET 2 OF 4

4 3 2 1

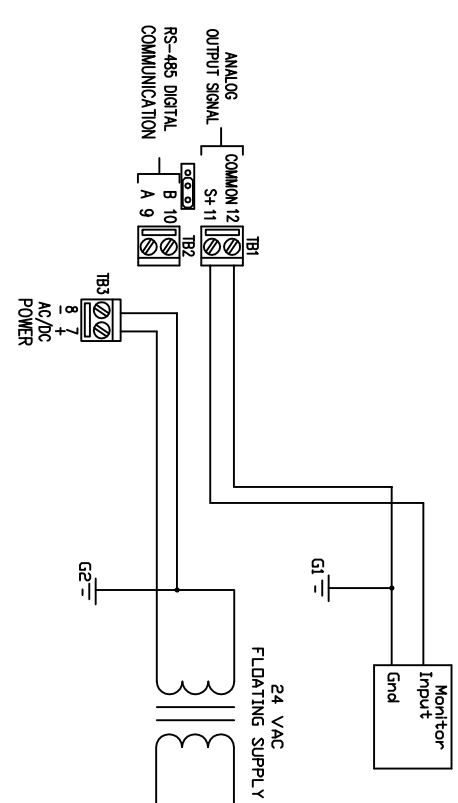
A B C D

REV		ECD		DESCRIPTION		DATE		DRN		CHK		APVD	
ALL	---	---	---	SEE SHEET ONE	---	---	---	---	---	---	---	---	---

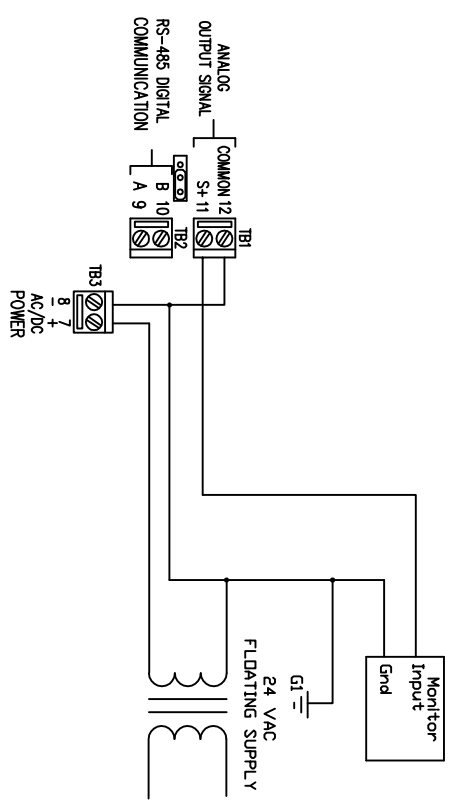
REVISIONS



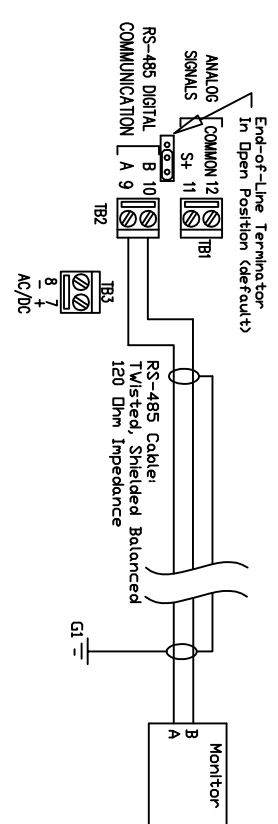
24VAC Floating Supply with 4-Wire Installation



24VAC Floating Supply with Separate Grounds



24VAC Supply with Common Ground



RS-485 Terminations (TB2 and JP2)

DRN	YJUBE/JH	04-10-07	QUATROSENSE ENVIRONMENTAL LTD									
CHK	DH	04-10-07	RICHMOND, BRITISH COLUMBIA									
DSGN	DH	04-10-07	<p style="text-align: center;">M-17</p> <p style="text-align: center;">COMBUSTIBLE WALL MOUNT</p> <p style="text-align: center;">INSTALLATION DRAWING</p>									
APPVD												
QA												
APPLICATION												
SIZE	B	ID	DWG NO	84450-002-000	REV	D						
SCALE	---	FILE	SHEET	3	OF	4						

4

4

3

3

2

2

1

1

A

A

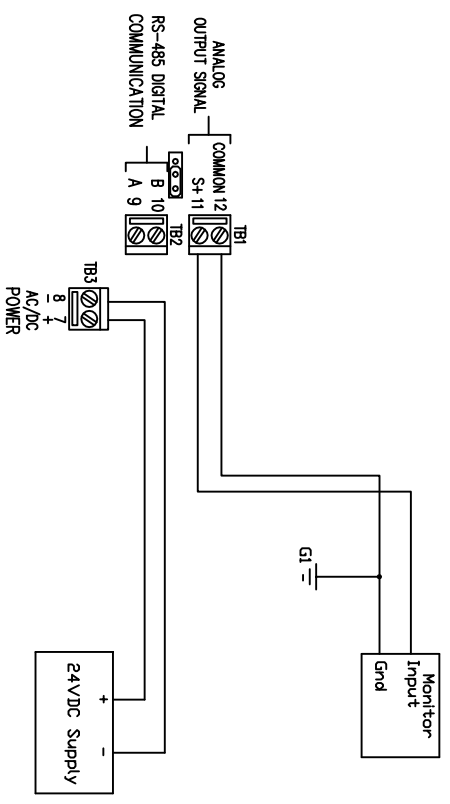
C

C

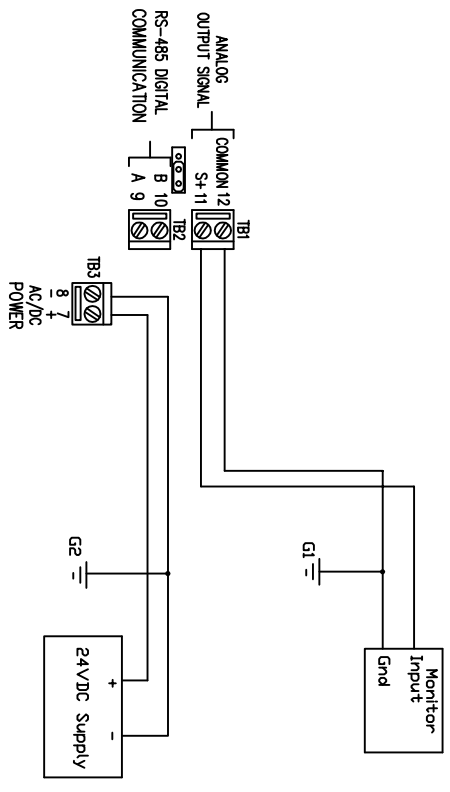
D

D

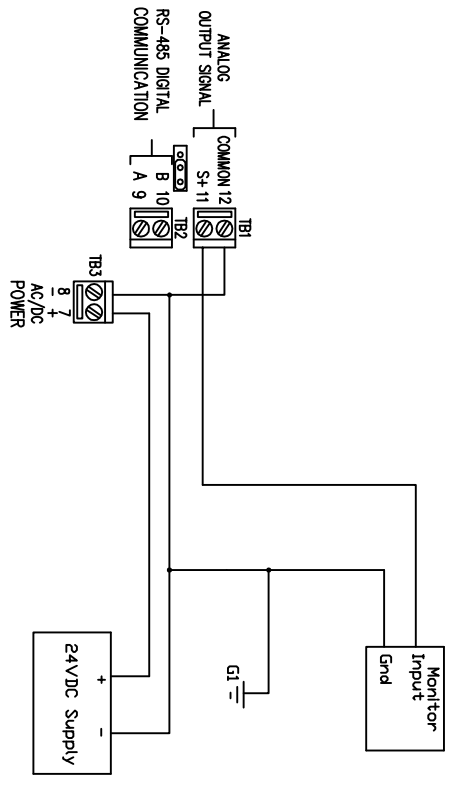
REVISIONS			
REV	ECD	DESCRIPTION	DATE
ALL	---	SEE SHEET ONE	



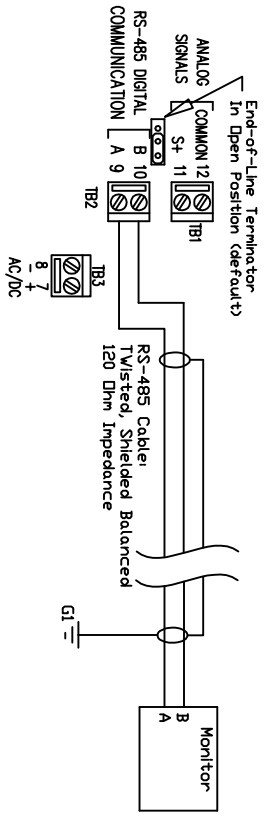
24VDC Floating Supply with 4-Wire Installation



24VDC Floating Supply with Separate Grounds



24VDC Supply with Common Ground



RS-485 Terminations (TB2 and JP2)

QUATROSENSE ENVIRONMENTAL LTD		M-17	
RICHMOND, BRITISH COLUMBIA		COMBUSTIBLE WALL MOUNT	
INSTALLATION DRAWING			
DRN	YJUBC/JH	04-10-07	
CHK	DH	04-10-07	
DESIGN			
APV/D			
QA			
APPLICATION			
SIZE	TYPE	DWG NO	REV
B	ID	84450-002-000	D
SCALE ---		FILE	SHEET 4 OF 4
FINISH ---			