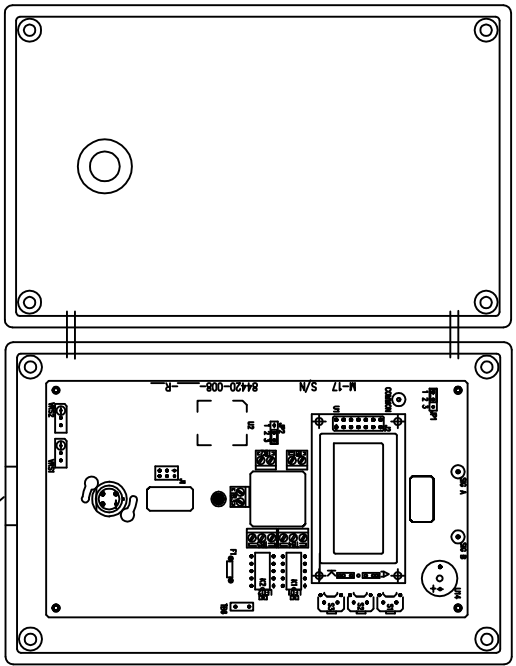


4

3

2

1



1/2" CONDUIT ENTRY FROM BOTTOM

SPEC:

POWER SUPPLY

24 VAC or 24 VDC (Nominal)
 Less than 100 millamps operating
 Allow 250 millamps turn-on surge
 Range: DC: 18 to 30 VDC
 AC: 18 to 30 VAC

SIGNAL OUTPUT

4-20 mA linear
 OR
 2-10 VDC linear

OPERATING RANGE

0-100% LEL (Display)
 Fully Adjustable Signal Assignment of 4-20 mA (-2-10VDC)

SENSOR

Catalytic
 GAS TYPE
 Butane, Ethanol, Methane, Propane
 Genl LEL (General LEL -> Other Combustibles)

MOUNTING HEIGHT

Methane = 1 Ft (0.3m) From Ceiling
 Butane, Ethanol, Propane = 1 Ft (0.3m) From Floor
 Genl LEL = Mount according to requirement for gas

ENVIRONMENT

Temperature: -4°F to 104°F (-20°C to 40°C)
 Humidity: 0 to 99 % Non-Condensing

SENSOR/TRANSMITTER MOUNTING

Wall or Conduit Mounting
 Drill mounting holes and seal to meet NEMA 4X.
CABLE ENTRY
 From bottom of enclosure through 1/2" conduit entry.

ENCLOSURE

ABS Plastic Fire Retardant
 Environment: NEMA 4X

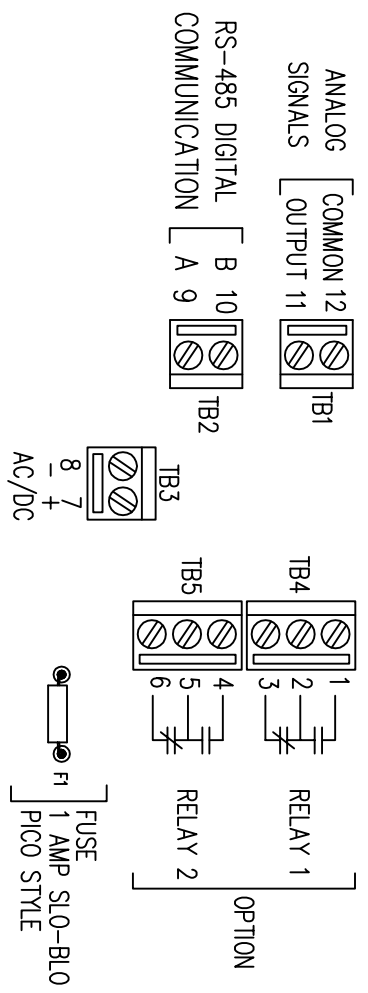
WIRE

Connectors: Terminal blocks, screw type for lead wire.
 Size: Min. 26 AWG (0.40mm)
 Max. 16 AWG (1.3 mm)

ALARM OPTION

Relays (2) 1 Amp SPDT
 Buzzer

WIRING CONNECTIONS:



REVISIONS				
REV	ECD	DESCRIPTION	DATE	DRN CHK APVD
A	664	FIRST RELEASE	04-11-10	YD/DH DH DH
B	715	UPDATE JE DEFAULT	05-05-13	DH DH DH DH
C	1029	CHANGE TD 3.4"	13-08-09	XY XY XY XY

DRN Y/D/BE	03-03-13	QUATROSENSE ENVIRONMENTAL LTD		
CHK		RICHMOND, ONTARIO, CANADA		
DSGN RC/CH	04-10-07	M-17		
APVD		COMBUSTIBLE NEMA 4 COMMERCIAL		
QA		INSTALLATION DRAWING		
APPLICATION		SIZE	TYPE	DWG NO
		B	ID	84450-005-000
		SCALE	FILE	REV
				C
				SHEET 1 OF 4

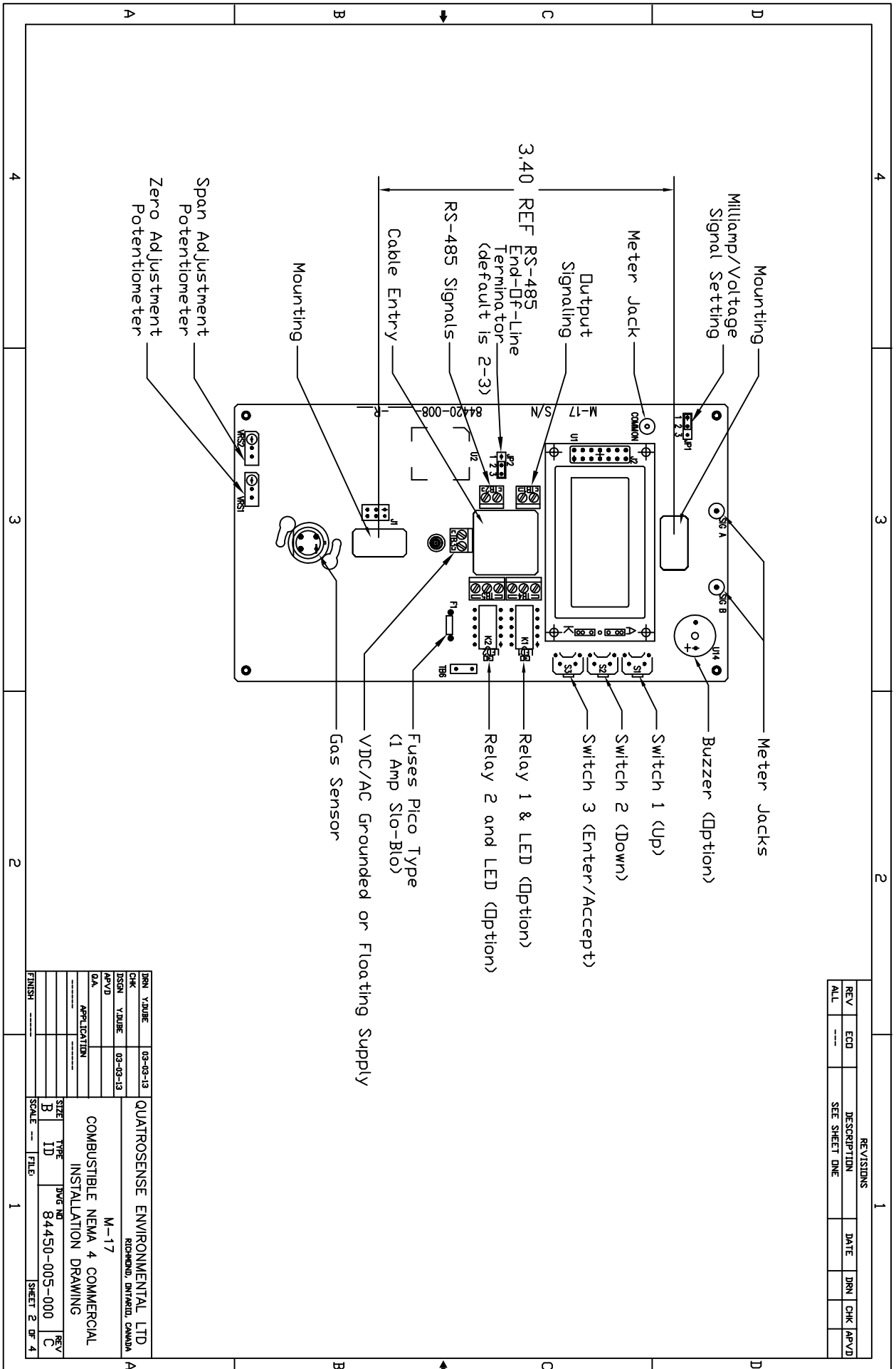
4

3

2

1

REVISIONS				
REV	EDD	DESCRIPTION	DATE	BRN / CHK / APVD
ALL	---	SEE SHEET ONE		



BRN VALUE	03-03-13	QUATTROSENSE ENVIRONMENTAL LTD
CHK		
ISSN VALUE	03-03-13	
APVD		
QA		
APPLICATION		
SIZE	B	
TYPE	ID	
DWG NO	84450-005-000	
SCALE	1	
FILE		
REV	C	
DF	4	

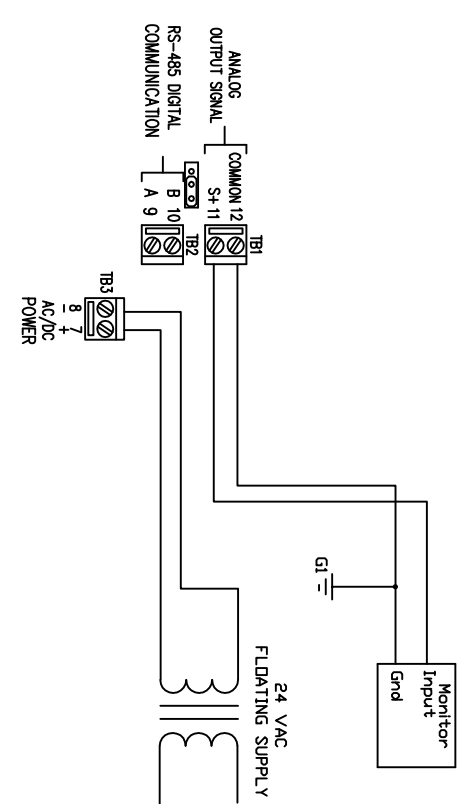
COMBUSTIBLE NEMA 4 COMMERCIAL
INSTALLATION DRAWING

M-17
RICHMOND, ONTARIO, CANADA

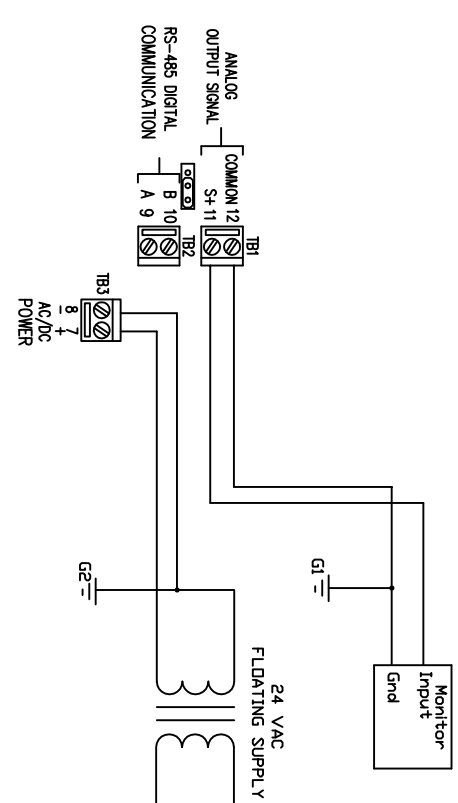
SHEET 2 OF 4

REV		EOD		DESCRIPTION		DATE		DRN		CHK		APVD	
ALL	---	---	---	SEE SHEET ONE	---	---	---	---	---	---	---	---	---

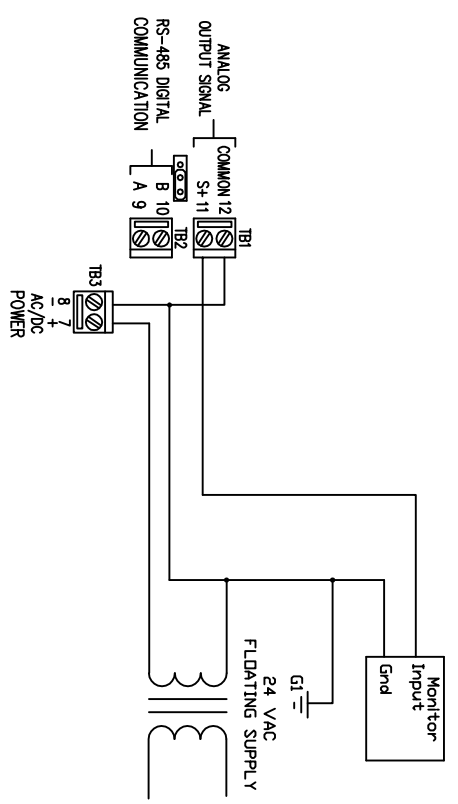
REVISIONS



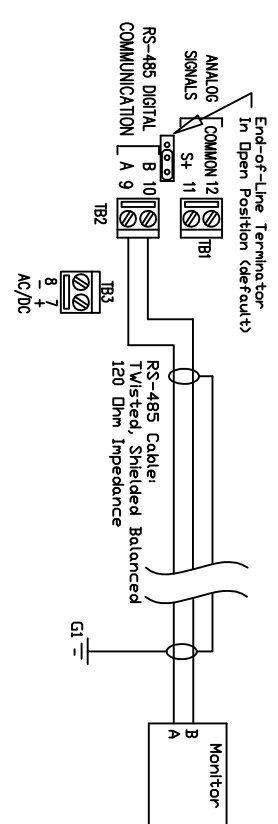
24VAC Floating Supply with 4-Wire Installation



24VAC Floating Supply with Separate Grounds



24VAC Supply with Common Ground



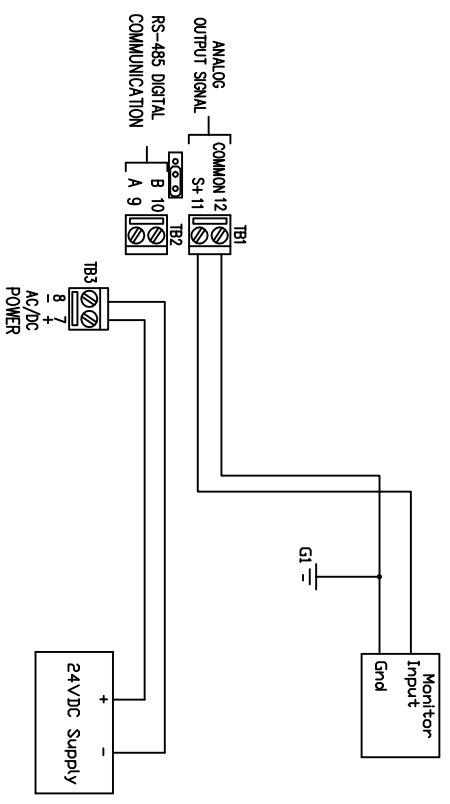
RS-485 Terminations (TB2 and JP2)

DRN	YJUBE/JH	04-10-07	QUATROSENSE ENVIRONMENTAL LTD									
CHK	DH	04-10-07	RICHMOND, BRITAIN, CANADA									
DSGN	DH	04-10-07	M-17									
APVD			COMBUSTIBLE NEMA 4 COMMERCIAL									
QA			INSTALLATION DRAWING									
APPLICATION												
SIZE	B	TYPE	ID	DWG NO	84450-005-000							
SCALE	---	FILE	---	SHEET	3	OF	4					

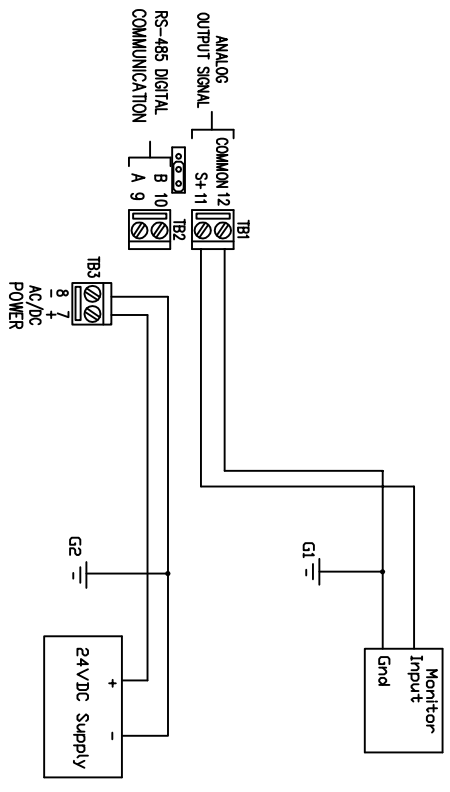
4 3 2 1

A B C D

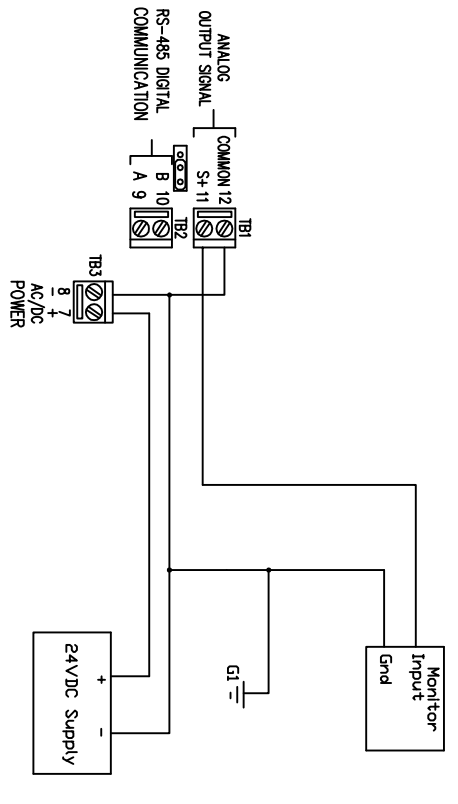
REVISIONS			
REV	ECO	DESCRIPTION	DATE
ALL	---	SEE SHEET ONE	



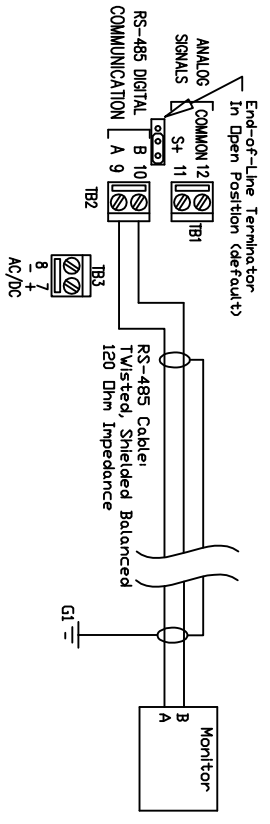
24VDC Floating Supply with 4-Wire Installation



24VDC Floating Supply with Separate Grounds



24VDC Supply with Common Ground



RS-485 Terminations (TB2 and JP2)

QUATROSENSE ENVIRONMENTAL LTD		M-17	
RICHMOND, BRITISH COLUMBIA		COMBUSTIBLE NEMA 4 COMMERCIAL	
INSTALLATION DRAWING			
DRN	YJUBE/JH	04-10-07	
CHK	DH	04-10-07	
DESIGN			
APV/D			
QA			
APPLICATION			
SIZE	TYPE	DWG NO	REV
B	ID	84450-005-000	C
SCALE		FILE	SHEET 4 OF 4
FINISH			

4

3

2

1