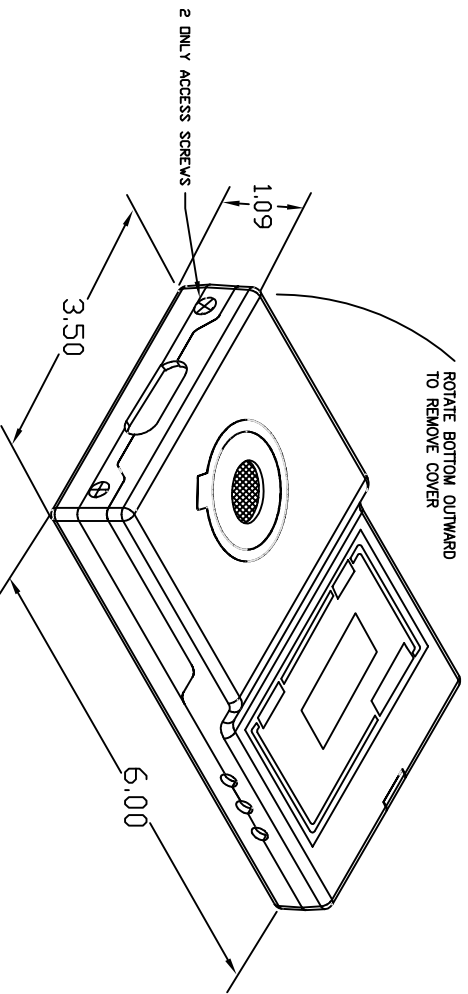


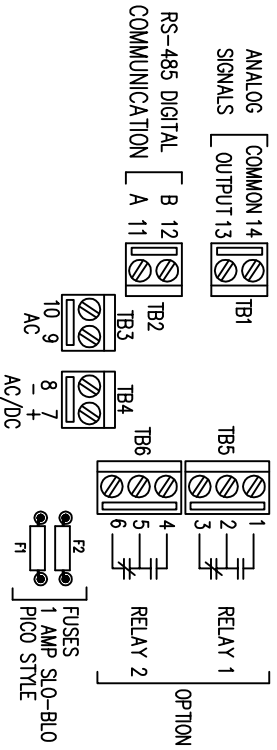
REVISIONS										
REV	ECO	DESCRIPTION	DATE	DRN	CHK	AP/VD	YD	BC	XY	XY
A	---	FIRST RELEASE	03-07-29	YD	BC	XY	YD	BC	XY	XY
B	649	CHANGE TEMPERATURE	2004/08	XY	XY	XY	XY	XY	XY	XY
C	685	RS-485 DEFAULTS	05-02-04	DH	CG	DH	CG	DH	XY	XY
D	785	POTENTIOMETER ADJUSTMENT	06-10-04	CLG	CLG	XY	CLG	XY	XY	XY
E	1029	CHANGE 2.4" TD 3.4"	13-08-06	XY	XY	XY	XY	XY	XY	XY



Sensor Selection Table

Code	Gas	Symbol	Ranges			Mounting Heights
			Signal Range Standard	Signal Range Maximum	Display Range	
130	Oxygen	O2	25%	25%	25%	4-6 Ft (1.5-2m)
150	Nitrogen Dioxide	NO2	6 PPM	10 PPM	10 PPM	0-2 Ft (0-0.5m)
160	Carbon Monoxide	CO	125	125	125	4-6 Ft (1.5-2m)
190	Nitric Oxide	NO	100	100	100	4-6 Ft (1.5-2m)
220	Ammonia	NH3	50	50	50	0-2 Ft (0-0.5m) From Ceiling

WIRING CONNECTIONS:



SPECIFICATIONS:

- POWER SUPPLY**
24 VAC or 24 VDC (Nominal)
Less than 100 millamps operating
Allow 250 millamps turn-on surge
Range: DC: 15 to 40 VDC
AC: 12 to 28 VAC
- SIGNAL OUTPUT**
4-20 mA linear
DR
- OPERATING RANGE**
2-10 VDC linear
SEE Sensor Selection Table
- SENSOR**
Electrochemical sensor
- ENVIRONMENT**
Temperature: -4°F to 104°F (-20°C to 40°C)
Humidity: 0 to 99 % Non-Condensing
- SENSOR/TRANSMITTER MOUNTING**
Wall Mounting:
Mount holes fit standard Switch Box
- CABLE ENTRY**
From back of enclosure 94 V-0
- ENCLOSURE**
ABS Plastic Fire Retardant
Colour: Pantone - Cool Grey 2U
- WIRE**
Connectors: Terminal blocks, screw type for lead wire.
Size: Min. 26 AWG (0.40mm)
Size: Max. 16 AWG (1.3 mm)
- ALARM OPTION**
Relays (2) 1 Amp SPDT
Buzzer

DRN	YJURBE	03-07-29	QUATROSENSE ENVIRONMENTAL LTD
CHK			RICHMOND, ONTARIO, CANADA
DSGN	YJURBE	03-07-29	
AP/VD			
QA			
APPLICATION			
M-5 DUCT MOUNT INSTALLATION DRAWING			
SIZE	TYPE	DWG NO	REV
B	ID	83850-003-000	E
SCALE	FILE		SHEET 1 OF 3

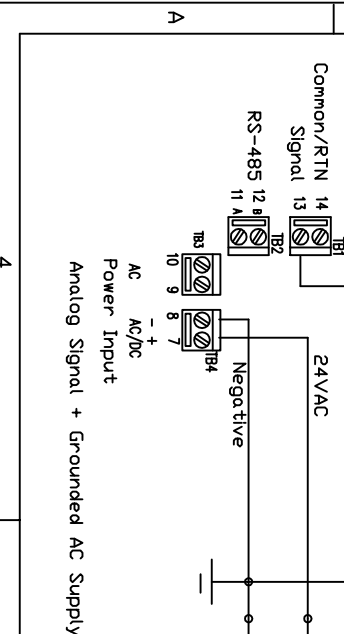
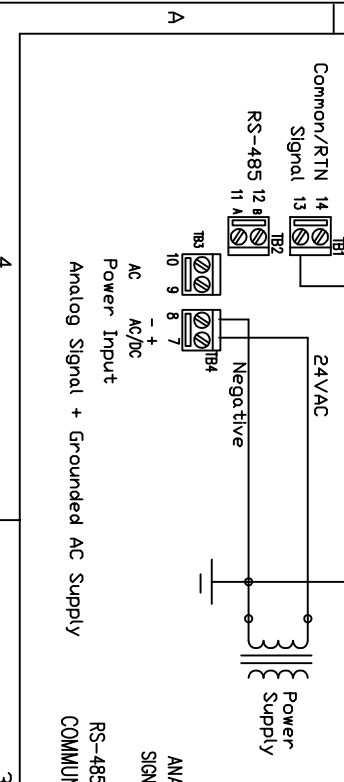
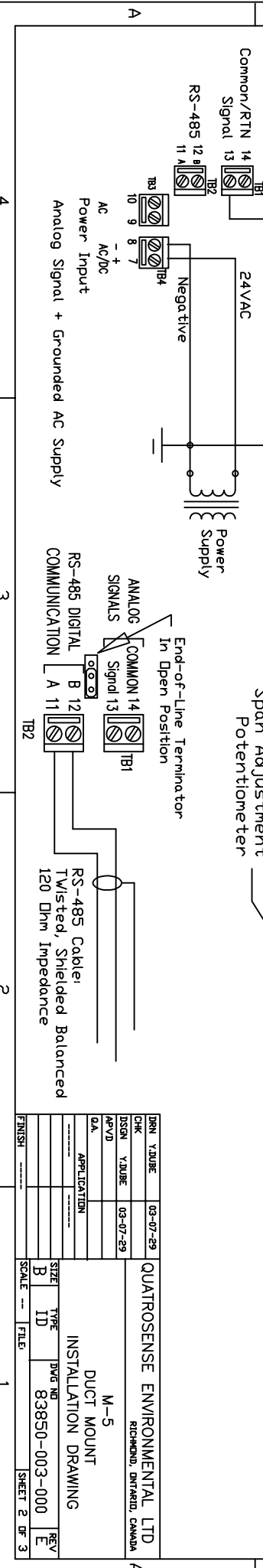
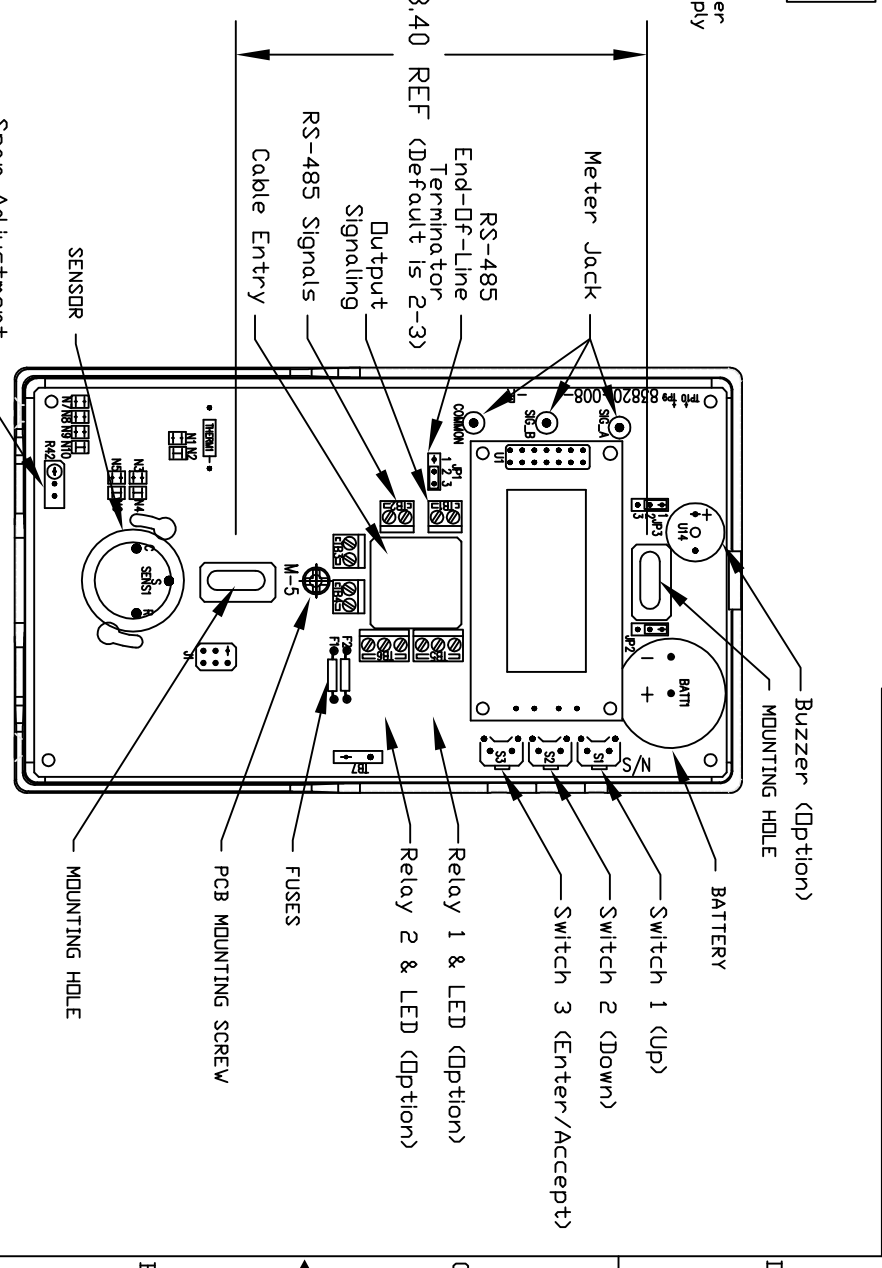
4

3

2

1

REVISIONS			
REV	ECO	DESCRIPTION	DATE
ALL	---	SEE SHEET ONE	

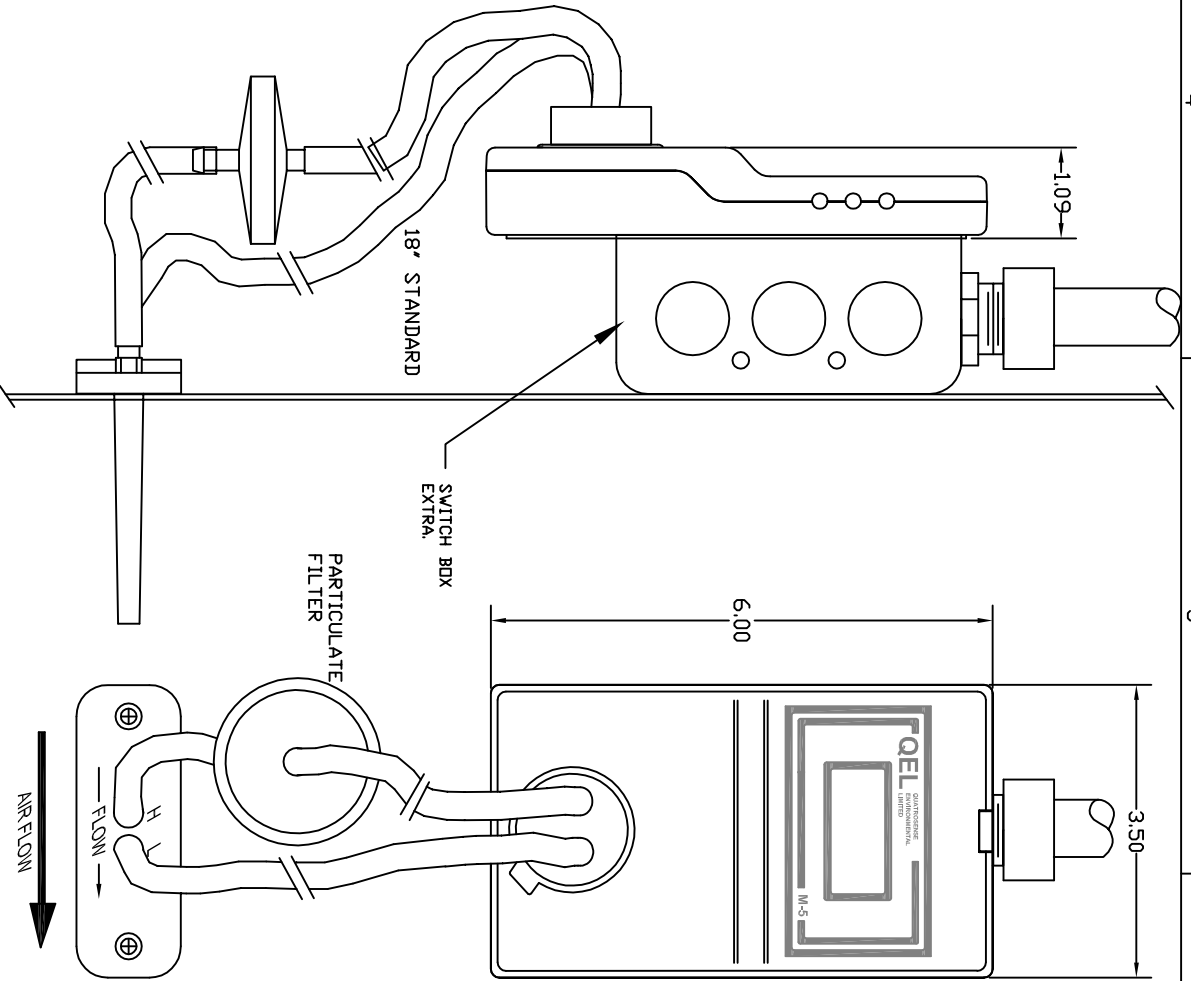


DRN Y/D/BE	03-07-29	QUATROSENSE ENVIRONMENTAL LTD
CHK		RICHMOND, ONTARIO, CANADA
DSGN Y/D/BE	03-07-29	
APP'VD		
Q/A		
APPLICATION		
M-5 DUCT MOUNT		
INSTALLATION DRAWING		
SIZE	TYPE	DWG NO
B	ID	83850-003-000
SCALE	FILE	REV
		E
		SHEET 2 OF 3

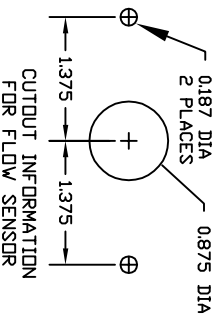
REV		EOD		DESCRIPTION		DATE		DRN		CHK		APVD	
ALL	---	---	---	SEE SHEET ONE	---	---	---	---	---	---	---	---	---

REVISIONS

1



DUCT MOUNTING OPTION



NOTE: GAS SAMPLING OCCURS WHEN AIR FLOW ACROSS THE TWO TUBES CAUSES DIFFERENTIAL PRESSURE. THIS METHOD WILL NOT WORK IN STATIC AIR SAMPLING.

DRN Y/DJBE	00-12-13	QUATROSENSE ENVIRONMENTAL LTD	
CHK		RICHMOND, ONTARIO, CANADA	
DSGN Y/DJBE	00-12-13	M-5	
APVD		DUCT MOUNT	
QA		INSTALLATION DRAWING	
APPLICATION		SIZE	TYPE
		B	ID
FINISH		SCALE	FILE
		---	---

4

3

2

1

4

3

2

1

A

B

C

D

A

B

C

D